

AXW SERIES

◆ **FEATURES**

- Load Life : 105°C 2000 hours.
- Body diameter of ø10mm to ø18mm with high ripple current capability.
- This series is two classes smaller than the current PN series.



◆ **SPECIFICATIONS**

| Items | Characteristics | | | | | | | | | | | |
|----------------------------|--|--------------------|-----------------------------------|--------------------|--|-----------------|------------------------------------|---------|-----|--------------|--|--|
| Category Temperature Range | -25~+105°C | | | | | | | | | | | |
| Rated Voltage Range | 200~450V.DC | | | | | | | | | | | |
| Capacitance Tolerance | ±20%(20°C,120Hz) | | | | | | | | | | | |
| Leakage Current(MAX) | $I=3\sqrt{CV}$ (After 5 minutes application of rated voltage) I=Leakage Current(µA) C=Rated Capacitance(µF) V=Rated Voltage(V) | | | | | | | | | | | |
| Dissipation Factor(MAX) | <table border="1"> <tr> <td>Rated Voltage (V)</td> <td>200~250</td> <td>400</td> <td>420~450</td> </tr> <tr> <td>tanδ</td> <td>0.12</td> <td>0.15</td> <td>0.2</td> </tr> </table> | Rated Voltage (V) | 200~250 | 400 | 420~450 | tanδ | 0.12 | 0.15 | 0.2 | (20°C,120Hz) | | |
| Rated Voltage (V) | 200~250 | 400 | 420~450 | | | | | | | | | |
| tanδ | 0.12 | 0.15 | 0.2 | | | | | | | | | |
| Endurance | After applying rated voltage with rated ripple current for 2000hrs at 105°C, the capacitors shall meet the following requirements. | | | | | | | | | | | |
| | <table border="1"> <tr> <td>Capacitance Change</td> <td>Within ±20% of the initial value.</td> </tr> <tr> <td>Dissipation Factor</td> <td>Not more than 200% of the specified value.</td> </tr> <tr> <td>Leakage Current</td> <td>Not more than the specified value.</td> </tr> </table> | Capacitance Change | Within ±20% of the initial value. | Dissipation Factor | Not more than 200% of the specified value. | Leakage Current | Not more than the specified value. | | | | | |
| Capacitance Change | Within ±20% of the initial value. | | | | | | | | | | | |
| Dissipation Factor | Not more than 200% of the specified value. | | | | | | | | | | | |
| Leakage Current | Not more than the specified value. | | | | | | | | | | | |
| Impedance Ratio(MAX) | <table border="1"> <tr> <td>Rated Voltage (V)</td> <td>200~250</td> <td>400~450</td> </tr> <tr> <td>Z(-25°C)/Z(20°C)</td> <td>3</td> <td>8</td> </tr> </table> | Rated Voltage (V) | 200~250 | 400~450 | Z(-25°C)/Z(20°C) | 3 | 8 | (120Hz) | | | | |
| Rated Voltage (V) | 200~250 | 400~450 | | | | | | | | | | |
| Z(-25°C)/Z(20°C) | 3 | 8 | | | | | | | | | | |

◆ **MULTIPLIER FOR RIPPLE CURRENT**

Frequency coefficient

| Frequency (Hz) | | 60(50) | 120 | 500 | 1k | 10k≤ |
|----------------|-----------|--------|-----|------|------|------|
| Coefficient | 200~250WV | 0.8 | 1.0 | 1.20 | 1.30 | 1.40 |
| | 400~450WV | 0.8 | 1.0 | 1.25 | 1.40 | 1.50 |

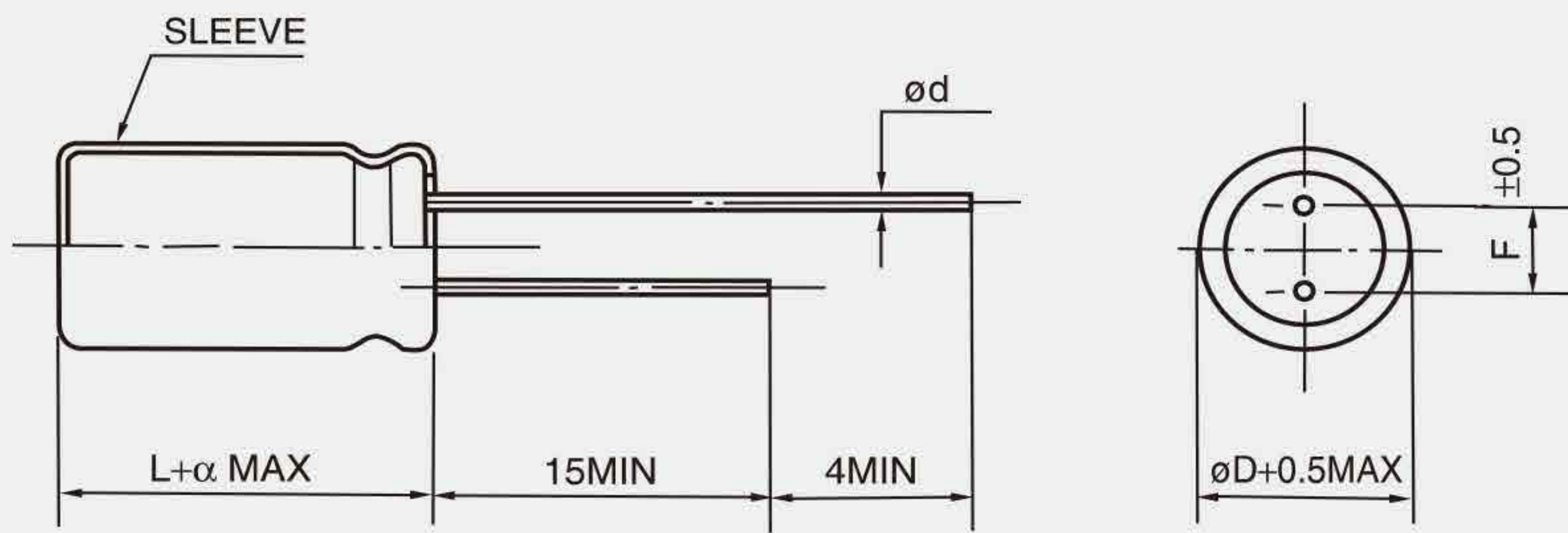
◆ **PART NUMBER**

□□□
AXW
□□□□□
□
□□□
□□
DxL
 Rated Voltage Series Rated Capacitance Capacitance Tolerance Option Lead Forming Case Size

AXW

◆ DIMENSIONS

(mm)



| | | | | | |
|----|-----|------|------|----|----|
| øD | 10 | 12.5 | 14.5 | 16 | 18 |
| ød | 0.6 | | 0.8 | | |
| F | 5.0 | | 7.5 | | |
| α | 2.0 | | | | |

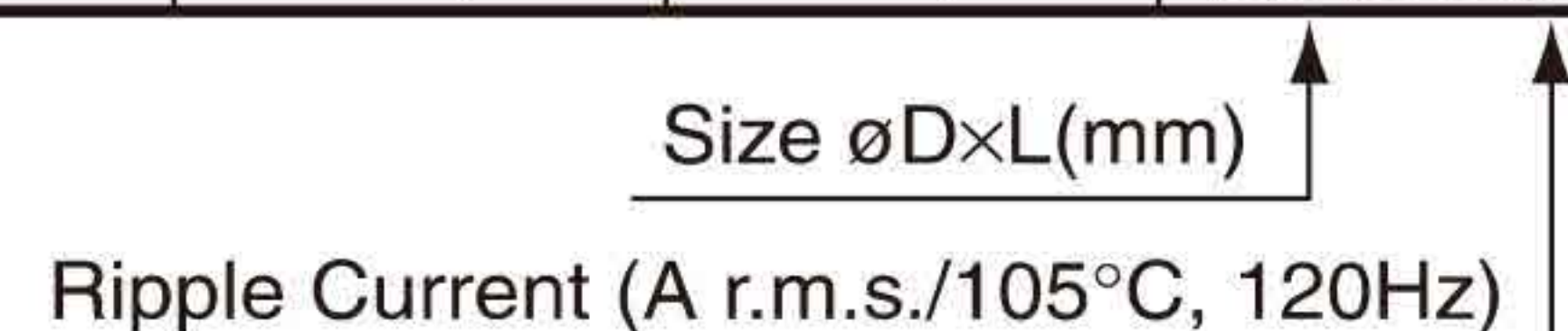
◆ STANDARD SIZE, RATED RIPPLE CURRENT

| Cap (μF) \ WV / øD | 200 | | | | | 220 | | | | | | | | | |
|--------------------|-------|---------|---------|---------|-------|-------|-------|---------|------|---------|-------|-------|-------|-------|------|
| | ø10 | ø12.5 | ø14.5 | ø16 | ø18 | ø10 | ø12.5 | ø14.5 | ø16 | ø18 | | | | | |
| 56 | | | | | | 10×30 | 0.29 | | | | | | | | |
| 68 | 10×30 | 0.35 | | | | 10×35 | 0.33 | | | | | | | | |
| 82 | 10×35 | 0.40 | | | | 10×40 | 0.37 | | | | | | | | |
| 100 | 10×40 | 0.46 | | | | | | 12.5×30 | 0.43 | | | | | | |
| 120 | | 12.5×30 | 0.53 | | | | | 12.5×35 | 0.49 | | | | | | |
| 150 | | 12.5×35 | 0.62 | | | | | 12.5×40 | 0.58 | 14.5×30 | 0.58 | | | | |
| 180 | | 12.5×40 | 0.70 | 14.5×30 | 0.66 | | | 14.5×35 | 0.68 | 16×30 | 0.67 | | | | |
| 220 | | | 14.5×35 | 0.80 | 16×30 | 0.76 | 18×30 | 0.81 | | 14.5×40 | 0.78 | 16×35 | 0.77 | 18×30 | 0.77 |
| 270 | | | 14.5×40 | 0.90 | 16×35 | 0.88 | 18×30 | 0.87 | | | 16×40 | 0.88 | 18×35 | 0.88 | |
| 330 | | | | | 16×40 | 1.10 | 18×35 | 1.01 | | | | | 18×40 | 1.01 | |
| 390 | | | | | | | 18×40 | 1.13 | | | | | 18×45 | 1.13 | |
| 470 | | | | | | | 18×45 | 1.27 | | | | | | | |

| Cap (μF) \ WV / øD | 250 | | | | | 400 | | | | | | | |
|--------------------|-------|---------|---------|---------|-------|-------|-------|---------|------|---------|------|-------|------|
| | ø10 | ø12.5 | ø14.5 | ø16 | ø18 | ø10 | ø12.5 | ø14.5 | ø16 | ø18 | | | |
| 22 | | | | | | 10×30 | 0.21 | | | | | | |
| 27 | | | | | | 10×35 | 0.24 | | | | | | |
| 33 | | | | | | 10×40 | 0.28 | | | | | | |
| 39 | | | | | | | | 12.5×30 | 0.32 | | | | |
| 47 | 10×30 | 0.27 | | | | | | 12.5×35 | 0.37 | | | | |
| 56 | 10×35 | 0.30 | | | | | | 12.5×40 | 0.42 | 14.5×30 | 0.42 | | |
| 68 | 10×40 | 0.35 | | | | | | 14.5×35 | 0.48 | | | | |
| 82 | | 12.5×30 | 0.40 | | | | | 14.5×35 | 0.52 | 16×30 | 0.50 | | |
| 100 | | 12.5×35 | 0.46 | | | | | | | 16×35 | 0.58 | 18×30 | 0.58 |
| 120 | | 12.5×40 | 0.53 | 14.5×30 | 0.53 | | | | | 16×40 | 0.66 | 18×35 | 0.67 |
| 150 | | | 14.5×35 | 0.62 | 16×30 | 0.62 | | | | | | 18×40 | 0.77 |
| 180 | | | 14.5×40 | 0.72 | 16×35 | 0.72 | 18×30 | 0.72 | | | | 18×45 | 0.88 |
| 220 | | | | | 16×40 | 0.83 | 18×35 | 0.83 | | | | | |
| 270 | | | | | | | 18×40 | 0.95 | | | | | |
| 330 | | | | | | | 18×45 | 1.07 | | | | | |

| Cap (μF) \ WV / øD | 420 | | | | | 450 | | | | | | | |
|--------------------|-------|---------|---------|---------|-------|-------|-------|---------|------|---------|------|-------|------|
| | ø10 | ø12.5 | ø14.5 | ø16 | ø18 | ø10 | ø12.5 | ø14.5 | ø16 | ø18 | | | |
| 15 | | | | | | 10×30 | 0.15 | | | | | | |
| 18 | 10×30 | 0.17 | | | | 10×35 | 0.18 | | | | | | |
| 22 | 10×35 | 0.20 | | | | 10×40 | 0.21 | | | | | | |
| 27 | 10×40 | 0.23 | | | | | | 12.5×30 | 0.25 | | | | |
| 33 | | 12.5×30 | 0.27 | | | | | 12.5×35 | 0.28 | | | | |
| 39 | | 12.5×35 | 0.31 | | | | | 12.5×40 | 0.32 | 14.5×30 | 0.32 | | |
| 47 | | 12.5×40 | 0.36 | 14.5×30 | 0.36 | | | 14.5×35 | 0.38 | 16×30 | 0.38 | | |
| 56 | | | 14.5×35 | 0.43 | 16×30 | 0.43 | | 14.5×40 | 0.44 | 16×35 | 0.44 | | |
| 68 | | | 14.5×40 | 0.51 | 16×35 | 0.51 | 18×30 | 0.51 | | 16×40 | 0.49 | 18×30 | 0.48 |
| 82 | | | | | 16×40 | 0.57 | 18×30 | 0.57 | | | | 18×35 | 0.55 |
| 100 | | | | | | | 18×35 | 0.61 | | | | 18×40 | 0.65 |
| 120 | | | | | | | 18×40 | 0.66 | | | | 18×45 | 0.74 |

Please check with us about individual WV, Cap., size and dimensions.



AXW