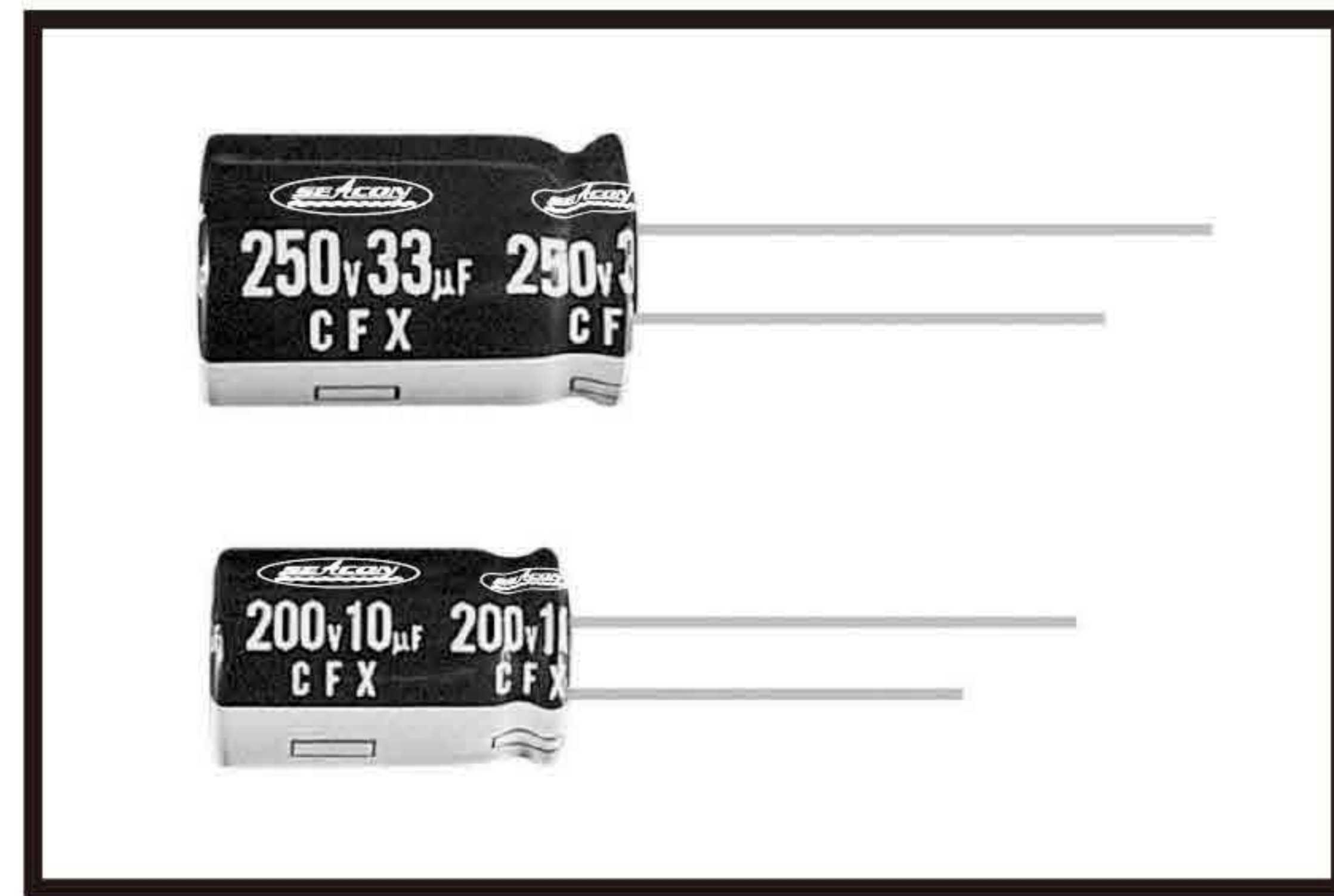


CFX SERIES

Load Life:105°C 5000 Hours.

◆ FEATURES

- High Ripple Current
- For Electronic Ballast, Power Supply



◆ SPECIFICATIONS

Items	Characteristics										
Category Temperature Range	-25~+105°C										
Rated Voltage Range	200~400V.DC										
Capacitance Tolerance	±20%(20°C,120Hz)										
Leakage Current(MAX)	CV ≤ 1000	CV > 1000									
	I=0.1CV+40µA (1 minute) I=0.03CV+15µA (5 minute)	I=0.04CV+100µA (1 minute) I=0.02CV+25µA (5 minute)									
Dissipation Factor(MAX)	(20°C,120Hz)										
	<table border="1"> <tr> <td>Rated Voltage (V)</td> <td>200</td> <td>250</td> <td>350</td> <td>400</td> </tr> <tr> <td>tanδ</td> <td>0.15</td> <td>0.15</td> <td>0.20</td> <td>0.20</td> </tr> </table>	Rated Voltage (V)	200	250	350	400	tanδ	0.15	0.15	0.20	0.20
Rated Voltage (V)	200	250	350	400							
tanδ	0.15	0.15	0.20	0.20							
Endurance	After applying rated voltage with rated ripple current for 5000 hrs at 105°C, the capacitors shall meet the following requirements.										
	Capacitance Change	Within ±20% of the initial value.									
	Dissipation Factor	Not more than 200% of the specified value.									
Low Temperature Stability Impedance Ratio(MAX)	(120Hz)										
	<table border="1"> <tr> <td>Rated Voltage (V)</td> <td>200</td> <td>250</td> <td>350</td> <td>400</td> </tr> <tr> <td>Z(-25°C)/Z(20°C)</td> <td>3</td> <td>3</td> <td>6</td> <td>6</td> </tr> </table>	Rated Voltage (V)	200	250	350	400	Z(-25°C)/Z(20°C)	3	3	6	6
Rated Voltage (V)	200	250	350	400							
Z(-25°C)/Z(20°C)	3	3	6	6							

◆ MULTIPLIER FOR RIPPLE CURRENT

Frequency coefficient

Frequency (Hz)	120	1k	10k	≥100k
2.2~4.7µF	0.2	0.4	0.8	1.0
6.8~10µF	0.3	0.6	0.9	1.0
22~100µF	0.5	0.8	0.9	1.0

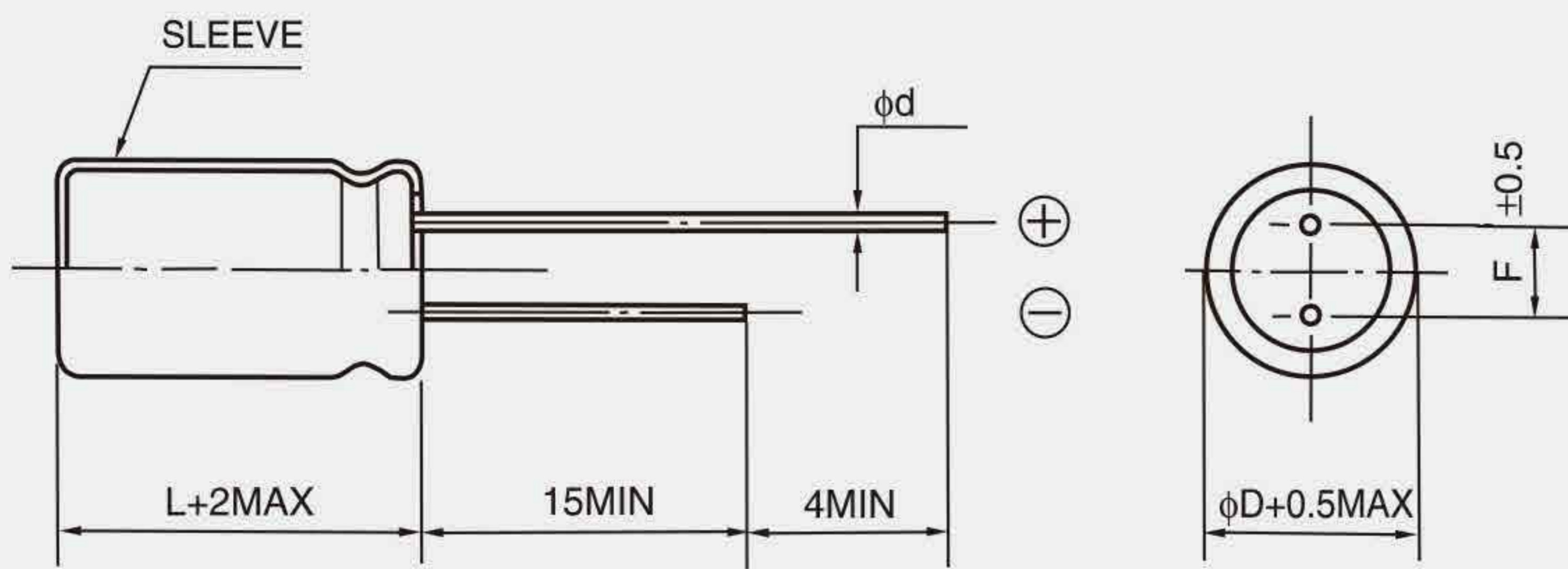
◆ PART NUMBER

CFX DxL
 Rated Voltage Series Rated Capacitance Capacitance Tolerance Option Lead Forming Case Size

CFX

◆ DIMENSIONS

(mm)



φD	10	12.5	16
φd	0.6		0.8
F	5.0		7.5

◆ STANDARD SIZE, RATED RIPPLE CURRENT

Size φDxL(mm), Ripple Current (mA r.m.s./105°C, 100kHz)

WV(V.DC) Cap(μF)	200V (2D)		250V (2E)	
	Size	Ripple	Size	Ripple
10	10X16	300	10X16	300
22	10X16	360	10X20	500
33	10X20	500	12.5X20	600
47	12.5X20	660	12.5X25	720
68	12.5X25	760	16X25	920
100	16X25	1120		

WV(V.DC) Cap(μF)	350V (2V)		400V (2G)	
	Size	Ripple	Size	Ripple
2.2			10X16	160
3.3	10X16	180	10X16	180
4.7	10X16	220	10X16	220
6.8	10X16	220	10X16	220
10	10X20	280	10X20	280
22	12.5X20	350	12.5X25	430
33	12.5X25	430	16X25	640
47	16X25	660		