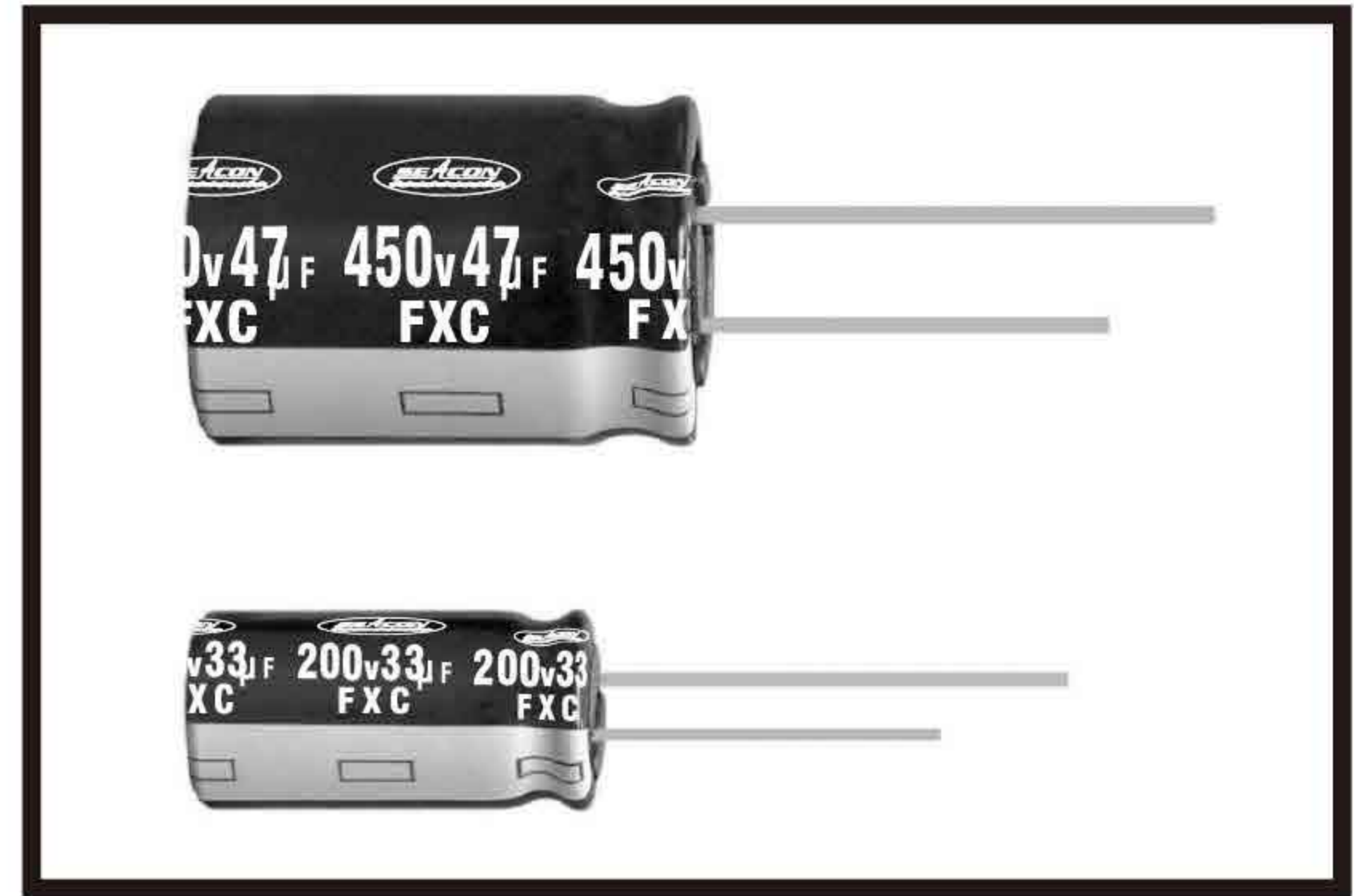


FXC SERIES

Load Life:105°C 5000~10000 Hours.

◆ **FEATURES**

- High Ripple Current
- For Electronic Ballast



◆ **SPECIFICATIONS**

Items	Characteristics																
Category Temperature Range	-25~+105°C																
Rated Voltage Range	160~450V.DC																
Capacitance Tolerance	±20%(20°C,120Hz)																
Leakage Current(MAX)	<table border="1" style="width:100%; border-collapse: collapse;"> <thead> <tr> <th colspan="2">160~450V.DC</th> <th rowspan="3" style="vertical-align: top;">I=Leakage Current(µA) C=Rated Capacitance(µF) V=Rated Voltage(V)</th> </tr> <tr> <th>CV 1000</th> <th>CV >1000</th> </tr> </thead> <tbody> <tr> <td>I=0.1CV+40µA (1 minute) I=0.03CV+15µA (5 minute)</td> <td>I=0.04CV+100µA (1 minute) I=0.02CV+25µA (5 minute)</td> </tr> </tbody> </table>	160~450V.DC		I=Leakage Current(µA) C=Rated Capacitance(µF) V=Rated Voltage(V)	CV 1000	CV >1000	I=0.1CV+40µA (1 minute) I=0.03CV+15µA (5 minute)	I=0.04CV+100µA (1 minute) I=0.02CV+25µA (5 minute)									
160~450V.DC		I=Leakage Current(µA) C=Rated Capacitance(µF) V=Rated Voltage(V)															
CV 1000	CV >1000																
I=0.1CV+40µA (1 minute) I=0.03CV+15µA (5 minute)	I=0.04CV+100µA (1 minute) I=0.02CV+25µA (5 minute)																
Dissipation Factor(MAX)	<table border="1" style="width:100%; border-collapse: collapse;"> <thead> <tr> <th>Rated Voltage (V)</th> <th>160</th> <th>200</th> <th>250</th> <th>350</th> <th>400</th> <th>450</th> <th>(20°C,120Hz)</th> </tr> </thead> <tbody> <tr> <td>tanδ</td> <td>0.15</td> <td>0.15</td> <td>0.15</td> <td>0.20</td> <td>0.20</td> <td>0.20</td> <td></td> </tr> </tbody> </table>	Rated Voltage (V)	160	200	250	350	400	450	(20°C,120Hz)	tanδ	0.15	0.15	0.15	0.20	0.20	0.20	
Rated Voltage (V)	160	200	250	350	400	450	(20°C,120Hz)										
tanδ	0.15	0.15	0.15	0.20	0.20	0.20											
Endurance	<p>After life test with rated ripple current at conditions stated in the table below, the capacitors shall meet the following requirements.</p> <table border="1" style="width:100%; border-collapse: collapse;"> <thead> <tr> <th>Capacitance Change</th> <th>Within ±20% of the initial value.</th> <th>Size</th> <th>Life Time (hrs)</th> </tr> </thead> <tbody> <tr> <td>Dissipation Factor</td> <td>Not more than 200% of the specified value.</td> <td>8x11.5, 10x12.5</td> <td>5000</td> </tr> <tr> <td>Leakage Current</td> <td>Not more than the specified value.</td> <td>10x16, 10x20</td> <td>8000</td> </tr> <tr> <td></td> <td></td> <td>φD ≥12.5</td> <td>10000</td> </tr> </tbody> </table>	Capacitance Change	Within ±20% of the initial value.	Size	Life Time (hrs)	Dissipation Factor	Not more than 200% of the specified value.	8x11.5, 10x12.5	5000	Leakage Current	Not more than the specified value.	10x16, 10x20	8000			φD ≥12.5	10000
Capacitance Change	Within ±20% of the initial value.	Size	Life Time (hrs)														
Dissipation Factor	Not more than 200% of the specified value.	8x11.5, 10x12.5	5000														
Leakage Current	Not more than the specified value.	10x16, 10x20	8000														
		φD ≥12.5	10000														
Low Temperature Stability Impedance Ratio(MAX)	<table border="1" style="width:100%; border-collapse: collapse;"> <thead> <tr> <th>Rated Voltage (V)</th> <th>160</th> <th>200</th> <th>250</th> <th>350</th> <th>400</th> <th>450</th> <th>(120Hz)</th> </tr> </thead> <tbody> <tr> <td>Z(-25°C)/Z(20°C)</td> <td>3</td> <td>3</td> <td>3</td> <td>6</td> <td>6</td> <td>6</td> <td></td> </tr> </tbody> </table>	Rated Voltage (V)	160	200	250	350	400	450	(120Hz)	Z(-25°C)/Z(20°C)	3	3	3	6	6	6	
Rated Voltage (V)	160	200	250	350	400	450	(120Hz)										
Z(-25°C)/Z(20°C)	3	3	3	6	6	6											

◆ **MULTIPLIER FOR RIPPLE CURRENT**

Frequency coefficient

Frequency (Hz)	120	1k	10k	≥100k
Coefficient				
1~4.7µF	0.2	0.4	0.8	1.0
6.8~15µF	0.3	0.6	0.9	1.0
22~82µF	0.4	0.7	0.9	1.0
100~220µF	0.45	0.75	0.9	1.0

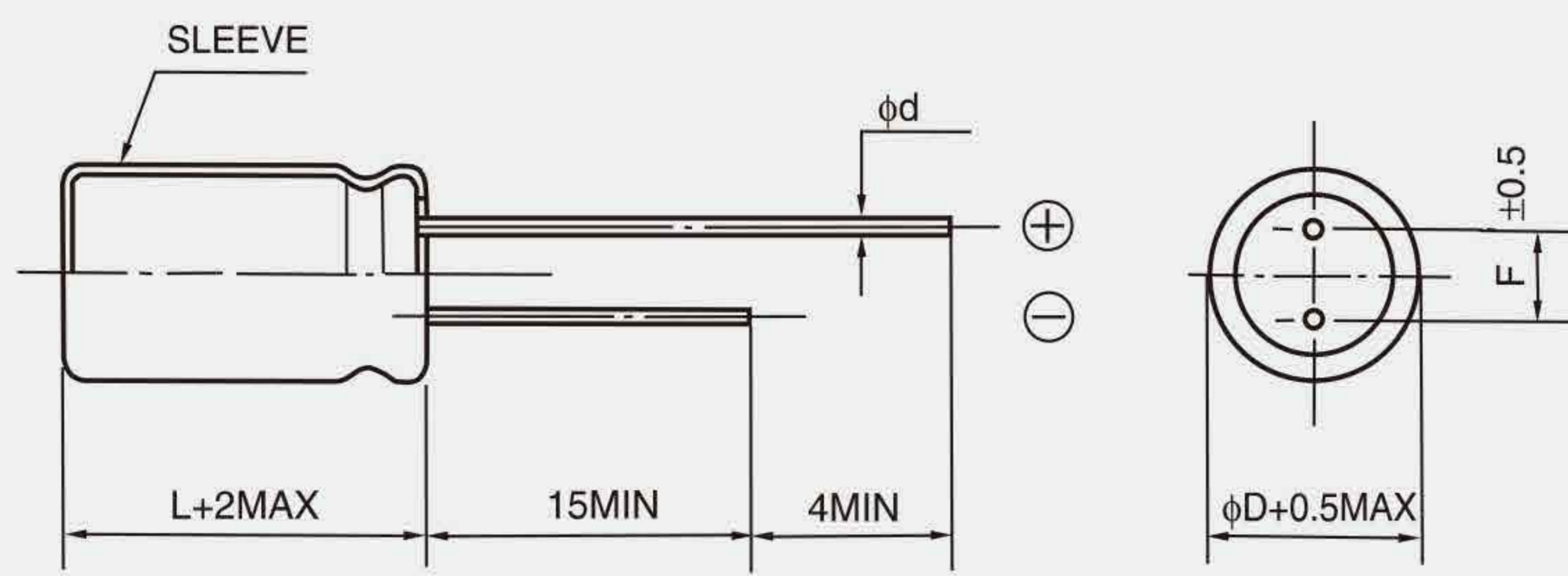
◆ **PART NUMBER**

□□□ **FXC** □□□□□ □ □□□ □□ **DxL**
 Rated Voltage Series Rated Capacitance Capacitance Tolerance Option Lead Forming Case Size

FXC

◆ DIMENSIONS

(mm)



φD	8	10	12.5	16	18
φd	0.6			0.8	
F	3.5	5.0		7.5	

◆ STANDARD SIZE, RATED RIPPLE CURRENT

Size φDxL(mm), Ripple Current (mA r.m.s./105°C, 100kHz)

WV(V.DC) Cap(μF)	160V (2C)		200V (2D)		250V (2E)	
	Size	Ripple	Size	Ripple	Size	Ripple
4.7					8X11.5	160
6.8					10X12.5	250
10	10X16	320	10X16	320	10X16	320
22	10X20	500	10X20	500	10X20	500
33	10X20	650	10X20	650	12.5X20	800
47	10X20	750	12.5X20	980	12.5X20	980
68	12.5X20	1180	12.5X25 16X20	1300	16X20	1300
82			16X20	1380	16X20	1380
100	12.5X25 16X20	1420	16X20	1420	16X25	1530
150	16X25	1890	16X25	1890	18X25	1940
220	18X25	2370				

WV(V.DC) Cap(μF)	350V (2V)		400V (2G)		450V (2W)	
	Size	Ripple	Size	Ripple	Size	Ripple
1			8X11.5 10X12.5	60 70		
1.5			8X11.5 10X12.5	90 100		
1.8			8X11.5 10X12.5	95 120		
2.2			8X11.5 10X12.5	95 140		
3.3			10X12.5 10X16	150 180		
4.7	10X12.5	150	10X16	220	10X20	220
5.6	10X12.5	180	10X16	250	10X20	250
6.8	10X16	280	10X16	280	10X20	280
10	10X20	350	10X20	350	12.5X20	450
15			12.5X20	550	12.5X25	600
22	12.5X20	650	12.5X25 16X20	760	16X20	730
33	16X20	900	16X20	900	16X25	980
47	16X20	1080	16X25 18X20	1180	18X25	1200
68	18X25	1470	18X25	1470		
82	18X25	1530				

FXC