

KXW SERIES

◆ **FEATURES**

- Load Life : 105°C 2000 hours.
- Body diameter of ø10mm to ø18mm with high ripple current capability.
- This series is one class smaller than the current AXW series.
- For switching adapter
- Expanded rated voltage range.



◆ **SPECIFICATIONS**

Items	Characteristics								
Category Temperature Range	-25~+105°C								
Rated Voltage Range	200 · 400 · 420 · 450V.DC								
Capacitance Tolerance	±20%(20°C,120Hz)								
Leakage Current(MAX)	$I=3\sqrt{CV}$ (After 5 minutes application of rated voltage) I=Leakage Current(µA) C=Rated Capacitance(µF) V=Rated Voltage(V)								
Dissipation Factor(MAX)	<table border="1"> <thead> <tr> <th>Rated Voltage (V)</th> <th>200</th> <th>400</th> <th>420~450</th> </tr> </thead> <tbody> <tr> <td>tanδ</td> <td>0.12</td> <td>0.15</td> <td>0.20</td> </tr> </tbody> </table> (20°C,120Hz)	Rated Voltage (V)	200	400	420~450	tanδ	0.12	0.15	0.20
Rated Voltage (V)	200	400	420~450						
tanδ	0.12	0.15	0.20						
Endurance	After applying rated voltage with rated ripple current for 2000hrs at 105°C, the capacitors shall meet the following requirements. <table border="1"> <tbody> <tr> <td>Capacitance Change</td> <td>Within ±20% of the initial value.</td> </tr> <tr> <td>Dissipation Factor</td> <td>Not more than 200% of the specified value.</td> </tr> <tr> <td>Leakage Current</td> <td>Not more than the specified value.</td> </tr> </tbody> </table>	Capacitance Change	Within ±20% of the initial value.	Dissipation Factor	Not more than 200% of the specified value.	Leakage Current	Not more than the specified value.		
Capacitance Change	Within ±20% of the initial value.								
Dissipation Factor	Not more than 200% of the specified value.								
Leakage Current	Not more than the specified value.								
Impedance Ratio(MAX)	<table border="1"> <thead> <tr> <th>Rated Voltage (V)</th> <th>200</th> <th>400~450</th> </tr> </thead> <tbody> <tr> <td>Z(-25°C)/Z(20°C)</td> <td>3</td> <td>8</td> </tr> </tbody> </table> (120Hz)	Rated Voltage (V)	200	400~450	Z(-25°C)/Z(20°C)	3	8		
Rated Voltage (V)	200	400~450							
Z(-25°C)/Z(20°C)	3	8							

◆ **MULTIPLIER FOR RIPPLE CURRENT**

Frequency coefficient

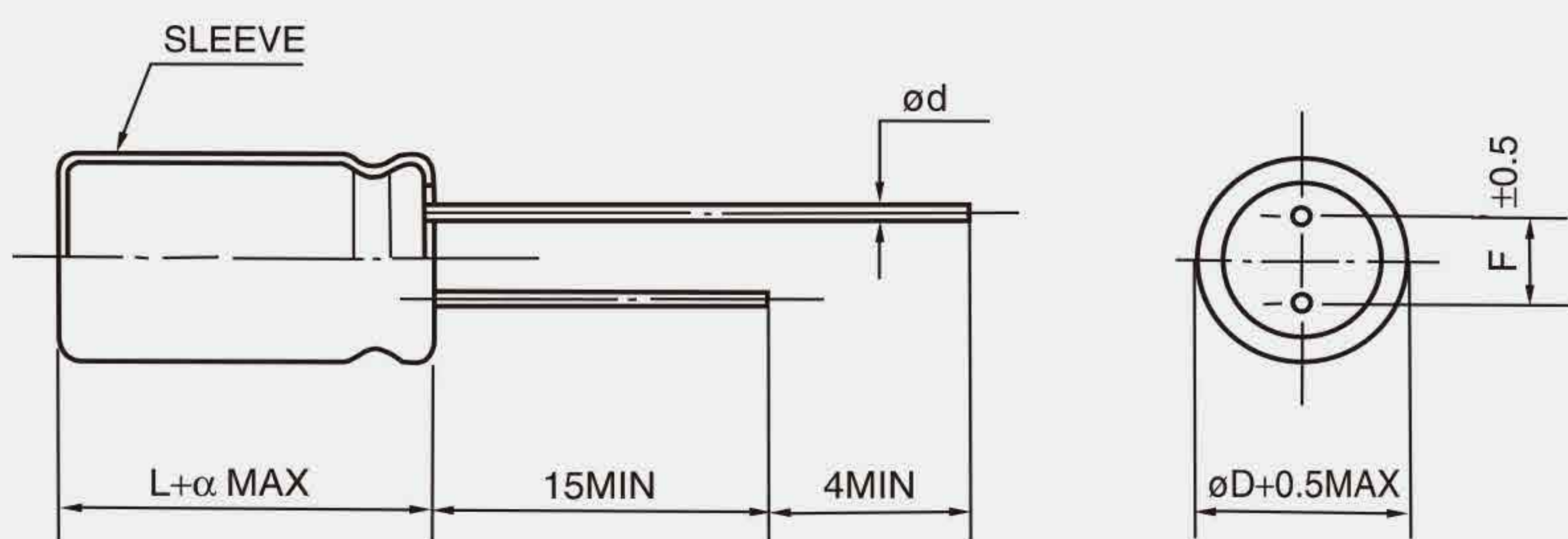
Frequency (Hz)		60(50)	120	500	1k	10k≤
Coefficient	200WV	0.8	1.0	1.20	1.30	1.40
	400~450WV	0.8	1.0	1.25	1.40	1.50

◆ **PART NUMBER**

□□□
KXW
□□□□□
□
□□□
□□
DxL
 Rated Voltage Series Rated Capacitance Capacitance Tolerance Option Lead Forming Case Size

◆ DIMENSIONS

(mm)



øD	10	12.5	14.5	16	18
ød	0.6		0.8		
F	5.0		7.5		
α	2.0				

◆ STANDARD SIZE, RATED RIPPLE CURRENT

Cap(μF)	WV øD	200					400									
		ø10	ø12.5	ø14.5	ø16	ø18	ø10	ø12.5	ø14.5	ø16	ø18					
27							10x30	0.24								
33							10x35	0.28								
39							10x40	0.32								
47									12.5x30	0.37						
56									12.5x35	0.42						
68									12.5x40	0.48	14.5x30	0.48				
82	10x30	0.40									14.5x35	0.52				
100	10x35	0.46									14.5x40	0.58	16x30	0.58		
120	10x40	0.53											16x35	0.67	18x30	0.67
150			12.5x30	0.62									16x40	0.77	18x35	0.77
180			12.5x35	0.70											18x40	0.88
220			12.5x40	0.80	14.5x30	0.80									18x45	1.00
270					14.5x35	0.87	16x30	0.87								
330							16x35	1.01	18x30	1.01						
390							16x40	1.13	18x35	1.13						
470									18x40	1.27						
560									18x45	1.39						

Cap(μF)	WV øD	420					450									
		ø10	ø12.5	ø14.5	ø16	ø18	ø10	ø12.5	ø14.5	ø16	ø18					
18							10x30	0.18								
22	10x30	0.20					10x35	0.21								
27	10x35	0.23					10x40	0.25								
33	10x40	0.27							12.5x30	0.28						
39			12.5x30	0.31					12.5x35	0.32						
47			12.5x35	0.36					12.5x40	0.38	14.5x30	0.38				
56			12.5x40	0.43	14.5x30	0.43					14.5x35	0.44	16x30	0.44		
68					14.5x35	0.51	16x30	0.51			14.5x40	0.49	16x35	0.49		
82					14.5x40	0.57	16x35	0.57					16x40	0.55	18x30	0.55
100							16x40	0.61	18x30	0.61					18x35	0.65
120									18x35	0.66					18x40	0.74
150									18x40	0.71					18x45	0.80

Please check with us about individual WV, Cap., size and dimensions.

Size øD×L(mm) ↑
Ripple Current (A r.m.s./120Hz, 105°C) ↑

KXW