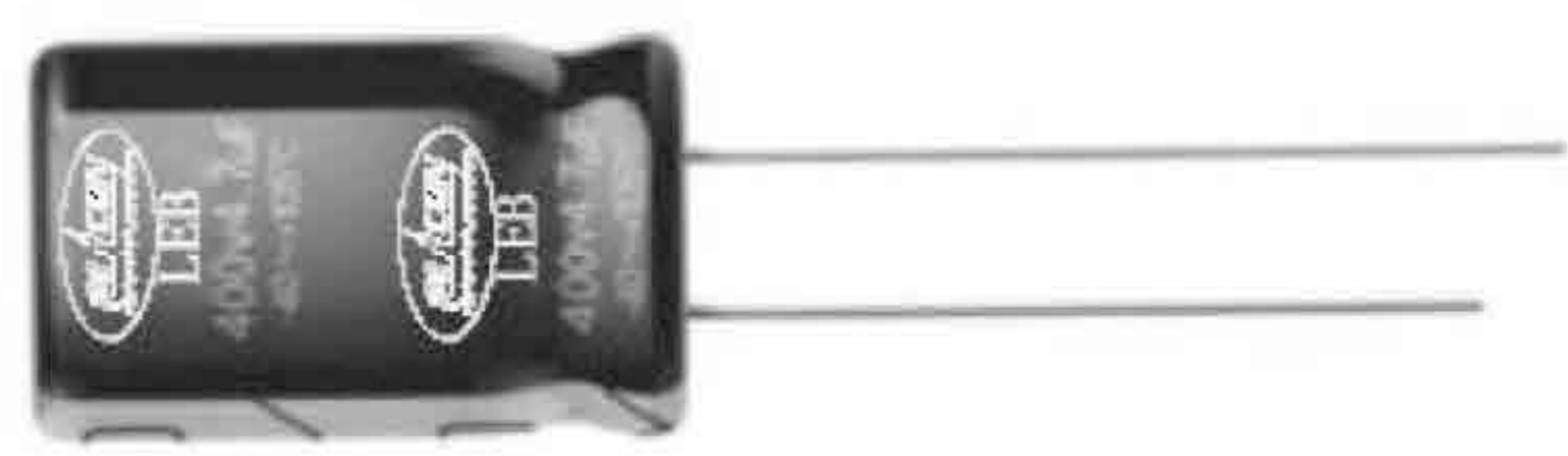


LEX SERIES

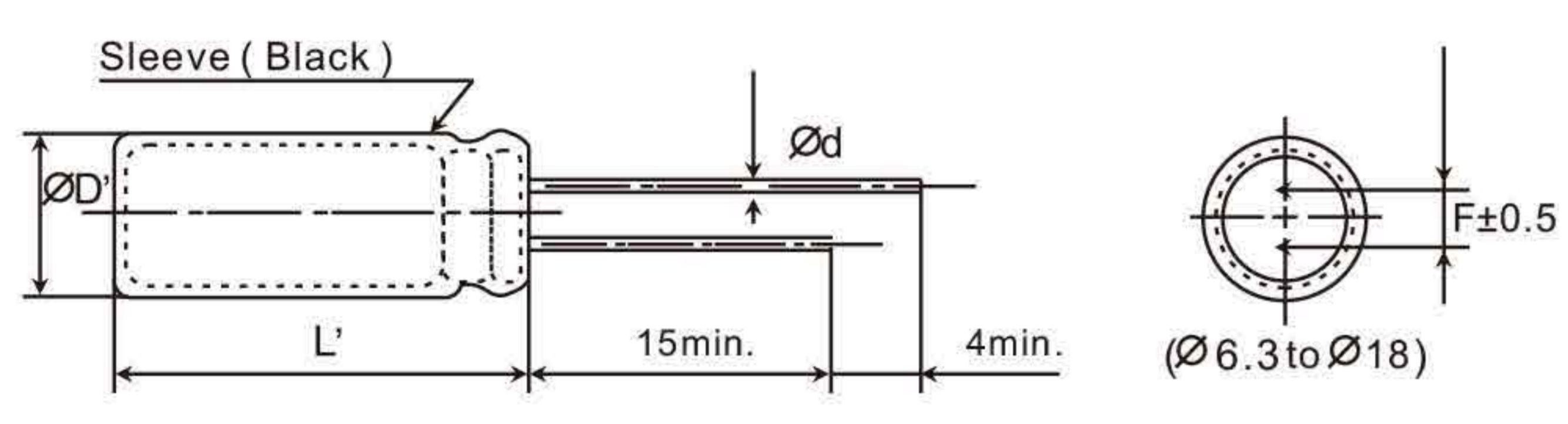
- Long life+105°C 8000 hours
- Especially designed for electronic energy saving lamps
- RoHS Compliant



◆ SPECIFICATIONS

Items	Characteristics							
Category	-40 to +105°C(160 to 400Vdc) -25 to +105°C(450Vdc)							
Temperature Range								
Rated Voltage Range	160 to 450V _{dc}							
Capacitance Tolerance	± 20%(M) (at 20°C, 120Hz)							
Leakage Current	160 to 400Vdc	450Vdc		Where, I : Max.leakage current (μA). C : Nominal capacitance (μF). V : Rated voltage (V).				
	I ≤ 0.02CV + 10 μA		I ≤ 0.03CV + 10 μA					(at 20°C after 2 minutes)
Dissipation Factor (tanδ)	Rated voltage (V _{dc})	160V	200V	250V	350V	400V	450V	(at 20°C, 120Hz)
	tanδ (Max.)	0.08					0.12	
Low Temperature Characteristics (Max.Impedance Ratio)	Rated voltage (V _{dc})	160V	200V	250V	350V	400V	450V	(at 120Hz)
	Z(-25°C)/Z(+20°C)	3	3	3	5	5	6	
	Z(-40°C)/Z(+20°C)	6	6	6	6	6	-	
Endurance	The following specifications shall be satisfied when the capacitors are restored to 20°C after subjected to DC voltage with the rated ripple current is applied for 8,000 hours at 105°C							
	Capacitance change	≤ ±20% of the initial value						
	D.F. (tanδ)	≤ 200% of the initial specified value						
	Leakage current	≤ The initial specified value						
Shelf Life	The following specification shall be satisfied when the capacitors are restored to 20°C after exposing them for 1,000 hours at 105°C without Voltage applied							
	Capacitance change	≤ ±20% of the initial value						
	D.F. (tanδ)	≤ 200% of the initial specified value						
	Leakage current	≤ 200% of the initial specified value						

◆ DIMENSIONS [mm]



ØD	6.3	8	10	12.5	16	18
Ød	0.5	0.6	0.6	0.6	0.8	0.8
F	2.5	3.5	5.0	5.0	7.5	7.5
ØD'	ØD+0.5max.					
L'	L+2max.					

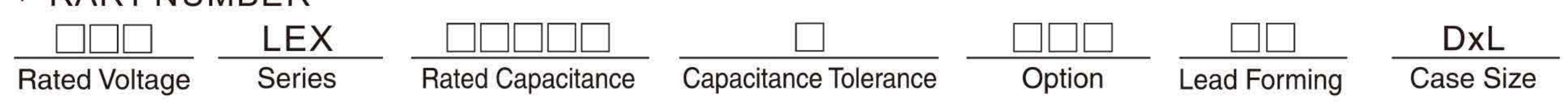
◆ RATED RIPPLE CURRENT MULTIPLIERS

Frequency correction factor for ripple current (Hz)

Freq.(Hz)	120	1K	10K	100K
WV(Vdc)				
160~250	0.55	0.85	0.90	1.00
350~450	0.50	0.80	0.90	1.00

The endurance of capacitors is shorted with internal heating produced by ripple current at the rate of halving the lifetime with every 5°C rise, When long life performance is required in actual use, the rms ripple current has to be reduced.

◆ PART NUMBER



◆ STANDARD RATINGS

Rated Voltage		160V(2C)									
μF	Φ D	Φ 6.3		Φ 8		Φ 10					
		1.0	6.3x12	40							
1.5	6.3x12	50									
1.8	6.3x12	56									
2.2	6.3x12	60									
2.8			8x12	64							
3.3			8x12	72							
4.7			8x12	80							
5.6			8x12	84							
6.8			8x12	96							
8.2			8x12	110							
10			8x12	206							
15					10x16	250					
22					10x20	400					

Rated Voltage		200V(2D)									
μF	Φ D	Φ 6.3		Φ 8		Φ 10		Φ 12.5		Φ 16	
		1.0	6.3x12	42							
1.5	6.3x12	54									
1.8	6.3x12	60									
2.2	6.3x12	68									
2.8			8x12	70							
3.3			8x12	75							
4.7			8x12	95							
5.6			8x12	98							
6.8			8x16	102	10x12	102					
8.2					10x16	112					
10					10x16	210					
15					10x16 10x20	250					
22					10x20	400					
33					10x20	450	12.5x20	500			
47							12.5x25	610			
68								16x25	700		
100								16x30	800		

Rated Voltage		250V(2E)											
μF	Φ D	Φ 6.3		Φ 8		Φ 10		Φ 12.5		Φ 16		Φ 18	
		1.0	6.3x12	44									
1.5			8x12	54									
1.8			8x12	60									
2.2			8x12	70									
2.8			8x12	70									
3.3			8x12	75									
4.7			8x16	95	10x12	95							
5.6			8x16	98	10x12	98							
6.8			8x16	102	10x12	102							
8.2					10x16	112							
10					10x16 10x20	210 230							
15					10x20	300							
22					10x20	400	12.5x20	450					
33							12.5x25	500					
41								16x25	620				
68								16x25	720				
100									18x30	880			
150									18x35	1030			

▲ Case Size (Φ DxL)

▲ Ripple Current(mArms/105°C,100KHz)

◆ STANDARD RATINGS

Rated Voltage		350V(2V)											
μF	Φ D	Φ 8		Φ 10		Φ 12.5		Φ 16					
		1.0	8x12	56									
1.5	8x12	58											
1.8	8x12	60	10x12	70									
2.2	8x12	63	10x12	70									
2.8			10x12	72									
3.3			10x12	80									
4.7			10x16	100									
5.6			10x16	115									
6.8			10x20	142									
8.2			10x20	160	12.5x20	220							
10			10x20	230	12.5x20	250							
15					12.5x20	300							
22					12.5x20	410							
33							16x25	530					

Rated Voltage		400V(2G)											
μF	Φ D	Φ 6.3		Φ 8		Φ 10		Φ 2.5		Φ 16			
		1.0	8x12	58									
1.5	8x12	64	10x12	68									
1.8			10x12	70									
2.2	8x16	78	10x16	83									
2.8			10x12	80									
			10x16	85									
3.3			10x16	90									
4.7			10x16	108									
			10x20										
5.6			10x20	115									
6.8			10x20	155	12.5x20	190							
8.2					12.5x20	220							
10					12.5x20	230							
15					12.5x25	300							
22							16x25	450					
33							16x30	500					
47									18x30	670			
68									18x35	800			

Rated Voltage		450V(2W)											
μF	Φ D	Φ 8		Φ 10		Φ 12.5		Φ 16		Φ 18			
		1.0	8x12	60									
1.5			10x12	72									
1.8			10x12	76									
2.2			10x12	80									
			10x16	86									
2.8			10x12	82									
			10x16	88									
3.3			10x16	95									
4.7			10x20	110									
5.6			10x20	115									
6.8					12.5x20	195							
8.2					12.5x20	220							
10					12.5x20	250							
15					12.5x25	350							
22							16x25	450					
33							16x30	550					
47									18x30	700			
68									18x35	810			

▲ Case Size (Φ DxL)

▲ Ripple Current(mArms/105°C,100KHz)

