

LGR Series

Useful of 8,000 hours at 105°C (Warranty of 5,000 hours at 105°C)

Features

- Ripple Current increased by 37% (without wind) or 50% (with 0.5m/s wind) by new heat radiation constructions in case of 90ø



Product Specifications

Items	Specifications
Temperature range	-40°C ~ +105°C
Capacitance tolerance	±20% (20°C, 120Hz)
Rated voltage	350 ~ 450V.DC
Leakage current	0.01CV (µA) or 5mA, whichever is smaller or less [C = nominal capacitance (µF), V = rated voltage (V)]
Dissipation factor	Less than the value specified in the standard products table. (20°C, 120Hz)
Permissible ripple current	As specified in the standard products table. (105°C, 120Hz)
High-temperature load	After the rated voltage with specified ripple current is applied at 105°C for 5000 hours: Capacitance tolerance: ±15% or less of the initial value Dissipation factor: 175% or less of the specified initial value Leakage current: Specified initial value or less
Others	JIS C 5101-4.

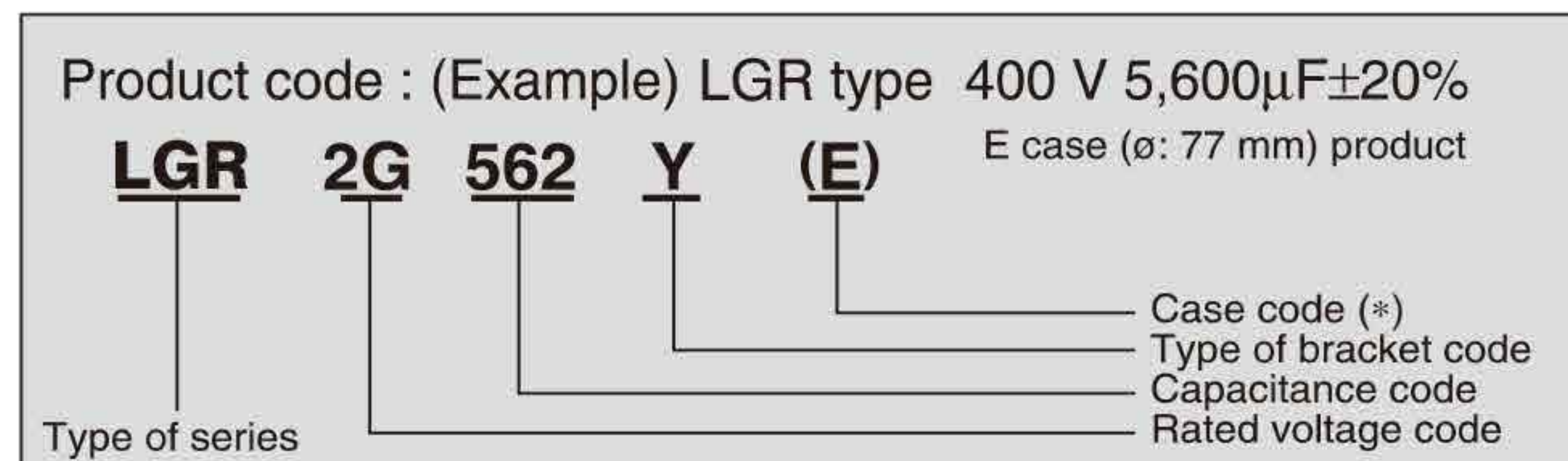
Ripple current correction coefficient

Temperature (°C)	40	60	85	105	
Correction coefficient	2.44	2.16	2.00	1.00	
Frequency (Hz)	50/60	120	300	1K	≥10K
Correction coefficient	0.7	1.0	1.1	1.3	1.4
Forced wind (m/s)	< 0.5	0.5 ≤			
Correction coefficient	1.0	1.1			

Terminal shapes: M5 for ø64; M6 for ø77, 90.

Terminal permissible currents: 60Arms for M5; 100Arms for M6.

Please use this type of capacitor at a terminal current below the permissible.



*() Case code in parentheses : If two types of shape exist for the same rating, enter the first English letter of case code.

Standard value and case size

Rated Voltage V. DC	Capacitance (µF)	Case size øDXL(mm)	Case code	tan δ 20°C, 120Hz	Ripple current (Arms) 105°C, 120Hz	Product name
350V(2V)	2700	64 × 100	D10T	0.15	8.9	LGR2V272Y
	3300	64 × 115	D12T	0.15	10.3	LGR2V332Y
	3900	64 × 131	D13T	0.15	11.8	LGR2V392Y
	4700	64 × 155	D16T	0.15	13.9	LGR2V472YD
		77 × 121	E12T	0.15	15.2	LGR2V472YE
		90 × 106	F11T	0.15	15.7	LGR2V472YF
	5600	77 × 137	E13T	0.15	17.4	LGR2V562YE
		90 × 121	F12T	0.15	18.2	LGR2V562YF
	6800	77 × 161	E16T	0.15	20.5	LGR2V682YE
		90 × 137	F13T	0.15	21.0	LGR2V682YF
	8200	90 × 161	F16T	0.15	24.8	LGR2V822Y
	10000	90 × 161	F16T	0.15	27.4	LGR2V103Y

Attachment of legs

- See page 10 for shapes and dimensions.
- Product names in the Standard Units Rating Table correspond to the attachment legs for Type Y (Type I for ø36 only), but Type I attachment legs may be used (Shape Code = I).
- If attachment legs are not necessary, enter "N" for the attachment leg shape code.
- Attachment legs will be delivered separately.

Rated Voltage V. DC	Capacitance (µF)	Case size øDXL(mm)	Case code	tan δ 20°C, 120Hz	Ripple current (Arms) 105°C, 120Hz	Product name
400V(2G)	2200	64 × 100	D10T	0.15	8.0	LGR2G222Y
	2700	64 × 115	D12T	0.15	9.3	LGR2G272Y
	3300	64 × 131	D13T	0.15	10.9	LGR2G332Y
	3900	64 × 155	D16T	0.15	12.7	LGR2G392YD
		77 × 121	E12T	0.15	13.8	LGR2G392YE
		90 × 106	F11T	0.15	14.3	LGR2G392YF
	4700	77 × 137	E13T	0.15	15.9	LGR2G472YE
		90 × 121	F12T	0.15	16.7	LGR2G472YF
	5600	77 × 161	E16T	0.15	18.6	LGR2G562YE
		90 × 137	F13T	0.15	19.1	LGR2G562YF
	6800	90 × 161	F16T	0.15	22.6	LGR2G682Y
	8200	90 × 161	F16T	0.15	24.8	LGR2G822Y
	10000	90 × 178	F18T	0.15	28.3	LGR2G103Y

Rated Voltage V. DC	Capacitance (µF)	Case size øDXL(mm)	Case code	tan δ 20°C, 120Hz	Ripple current (Arms) 105°C, 120Hz	Product name
450V(2W)	1800	64 × 100	D10T	0.15	7.2	LGR2W182Y
	2200	64 × 131	D13T	0.15	8.9	LGR2W222Y
	2700	64 × 155	D16T	0.15	10.5	LGR2W272YD
		77 × 121	E12T	0.15	11.5	LGR2W272YE
	3300	77 × 137	E13T	0.15	13.4	LGR2W332YE
		90 × 106	F11T	0.15	13.1	LGR2W332YF
	3900	77 × 161	E16T	0.15	15.5	LGR2W392YE
		90 × 121	F12T	0.15	15.2	LGR2W392YF
	4700	77 × 161	E16T	0.15	17.0	LGR2W472YE
		90 × 137	F13T	0.15	17.5	LGR2W472YF
	5600	90 × 161	F16T	0.15	20.5	LGR2W562Y
	6800	90 × 178	F18T	0.15	23.3	LGR2W682Y