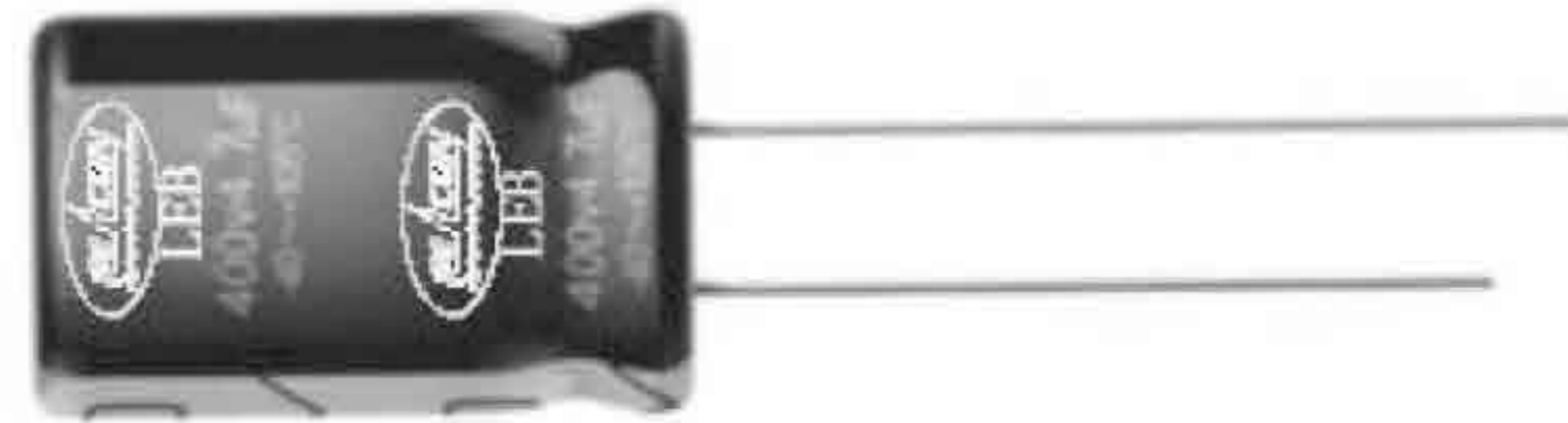


Lx30 SERIES

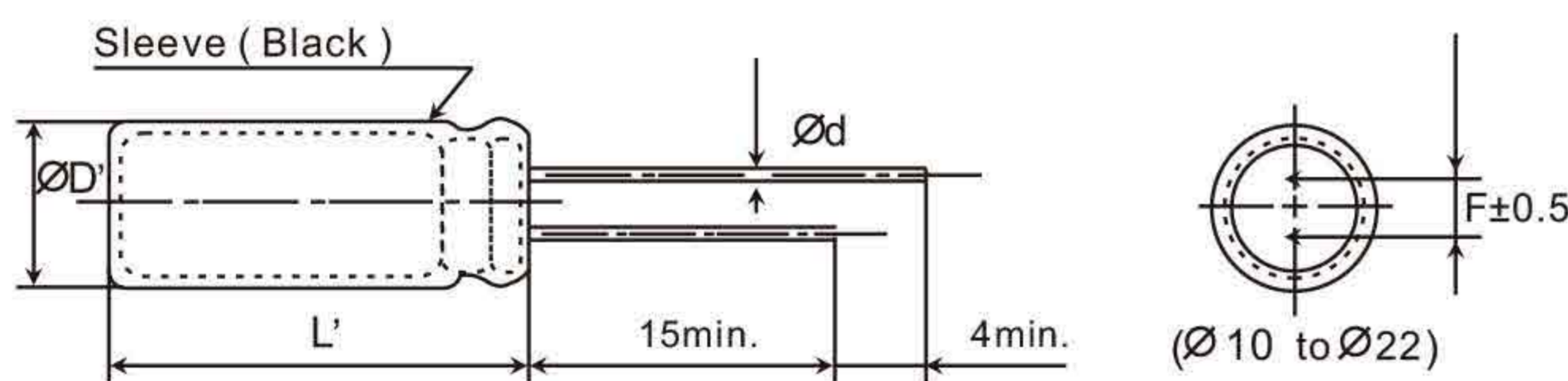
- Long life+130°C 3,000 hours
- Especially designed for electronic ballast
- RoHS Compliant



◆ SPECIFICATIONS

Items	Characteristics					
Category	-25°C to +105°C					
Temperature Range	-25°C to +105°C					
Rated Voltage Range	200 to 400V _{dc}					
Capacitance Tolerance	± 20% (M) (at 20°C, 120Hz)					
Leakage Current	I ≤ 0.02CV + 25 μA Where, I : Max. leakage current (μA). C : Nominal capacitance (μF). V : Rated voltage (V). (at 20°C after 2 minutes)					
Dissipation Factor (tanδ)	Rated voltage (V _{dc})	200V	250V	350V	400V	(at 20°C, 120Hz)
	tanδ (Max.)	0.15		0.20		
Low Temperature Characteristics (Max. Impedance Ratio)	Rated voltage (V _{dc})	200V	250V	350V	400V	(at 120Hz)
	Z(-25°C)/Z(+20°C)	3	3	5	5	
	Z(-40°C)/Z(+20°C)	6	6	6	6	
Endurance	The following specifications shall be satisfied when the capacitors are restored to 20°C after subjected to DC voltage with the rated ripple current is applied for 8,000 hours at 130°C					
	Capacitance change	≤ ±20% of the initial value				
	D.F. (tanδ)	≤ 200% of the initial specified value				
	Leakage current	≤ The initial specified value				
Shelf Life	The following specifications shall be satisfied when the capacitors are restored to 20°C after exposing them for 1,000 hours at 105°C without Voltage applied					
	Capacitance change	≤ ±20% of the initial value				
	D.F. (tanδ)	≤ 200% of the initial specified value				
	Leakage current	≤ 500% of the initial specified value				

◆ DIMENSIONS [mm]



ØD	10	12	13	16	18	22
Ød	0.6	0.6	0.6	0.8	0.8	0.8
F	5.0	5.0	5.0	7.5	7.5	10.5
ØD'	ØD+0.5max.					
L'	L+2max.					

◆ RATED RIPPLE CURRENT MULTIPLIERS

Frequency correction factor for ripple current (Hz)

Freq. (Hz)	120	1K	10K	100K
WV (Vdc)				
160~250	0.55	0.85	0.90	1.00
350~450	0.50	0.80	0.90	1.00

The endurance of capacitors is shorted with internal heating produced by ripple current at the rate of halving the lifetime with every 5°C rise. When long life performance is required in actual use, the rms ripple current has to be reduced.

◆ PART NUMBER

Lx30 **DxL**
 Rated Voltage Series Rated Capacitance Capacitance Tolerance Option Lead Forming Case Size

◆ STANDARD RATINGS

Rated Voltage		200V(2D)									
μF	Φ D	Φ 10		Φ 12		Φ 13		Φ 16		Φ 18	
		15	10x16	235	12x15	235					
22	10x16	240	12x15	240							
33					13x18	300					
47							16x18	310			
68									18x20	380	
100									18x20	640	
150											

Rated Voltage		250V(2E)											
μF	Φ D	Φ 10		Φ 12.5		Φ 13		Φ 16		Φ 18		Φ 22	
		10	10x16	250									
15					13x15	250							
22			12x18	285									
33							16x18	320					
47							16x20	330					
68									18x25	400			
100									18x25	680			
150											22x26	740	

Rated Voltage		350V(2V)											
μF	Φ D	Φ 10		Φ 13		Φ 16		Φ 18					
		10	10x16	250									
15			13x18	260									
22					16x18	275							
33					16x20	300							
47							18x20	350					
68							18x25	420					
100							18x30	700					

Rated Voltage		400V(2G)											
μF	Φ D	Φ 12		Φ 16		Φ 18		Φ 22					
		10	12x18	260									
15			16x18	270									
22			16x20	285									
33					18x20	310							
47					18x25	375							
68					18x25	430							
100							22x31	720					

▲ Case Size (Φ DxL)

▲ Ripple Current(mArms/105°C,100KHz)