

**SAW** SERIES**NEW****105°C Miniaturized, Overvoltage Vent Operation Facility,  
Lead Wire Type****◆ FEATURES**

- Load Life : 105°C 2000 hours.
- This series has specification of vent operation in overvoltage situation. Please consult us for any further details.
- Smaller size than SXW series.

**◆ SPECIFICATIONS**

Items	Characteristics						
Category Temperature Range	-25~+105°C						
Rated Voltage Range	400V.DC						
Capacitance Tolerance	±20%(20°C,120Hz)						
Leakage Current(MAX)	$I=3\sqrt{CV}$ (After 5 minutes application of rated voltage) I=Leakage Current(µA)    V=Rated Voltage(V)    C=Nominal Capacitance(µF)						
Dissipation Factor(MAX)	0.15 (20°C,120Hz)						
Impedance Ratio(MAX)	<table border="1"> <tr> <td>Rated Voltage (V)</td> <td>400</td> <td>(120Hz)</td> </tr> <tr> <td>Z(-25°C)/Z(20°C)</td> <td>8</td> <td></td> </tr> </table>	Rated Voltage (V)	400	(120Hz)	Z(-25°C)/Z(20°C)	8	
Rated Voltage (V)	400	(120Hz)					
Z(-25°C)/Z(20°C)	8						
Endurance	<p>After applying rated voltage with rated ripple current for 2000hours at 105°C, the capacitors shall meet the following requirements.</p> <table border="1"> <tr> <td>Capacitance Change</td> <td>Within ±20% of the initial value.</td> </tr> <tr> <td>Dissipation Factor</td> <td>Not more than 200% of the specified value.</td> </tr> <tr> <td>Leakage Current</td> <td>Not more than the specified value.</td> </tr> </table>	Capacitance Change	Within ±20% of the initial value.	Dissipation Factor	Not more than 200% of the specified value.	Leakage Current	Not more than the specified value.
Capacitance Change	Within ±20% of the initial value.						
Dissipation Factor	Not more than 200% of the specified value.						
Leakage Current	Not more than the specified value.						

**◆ MULTIPLIER FOR RIPPLE CURRENT**

Frequency coefficient

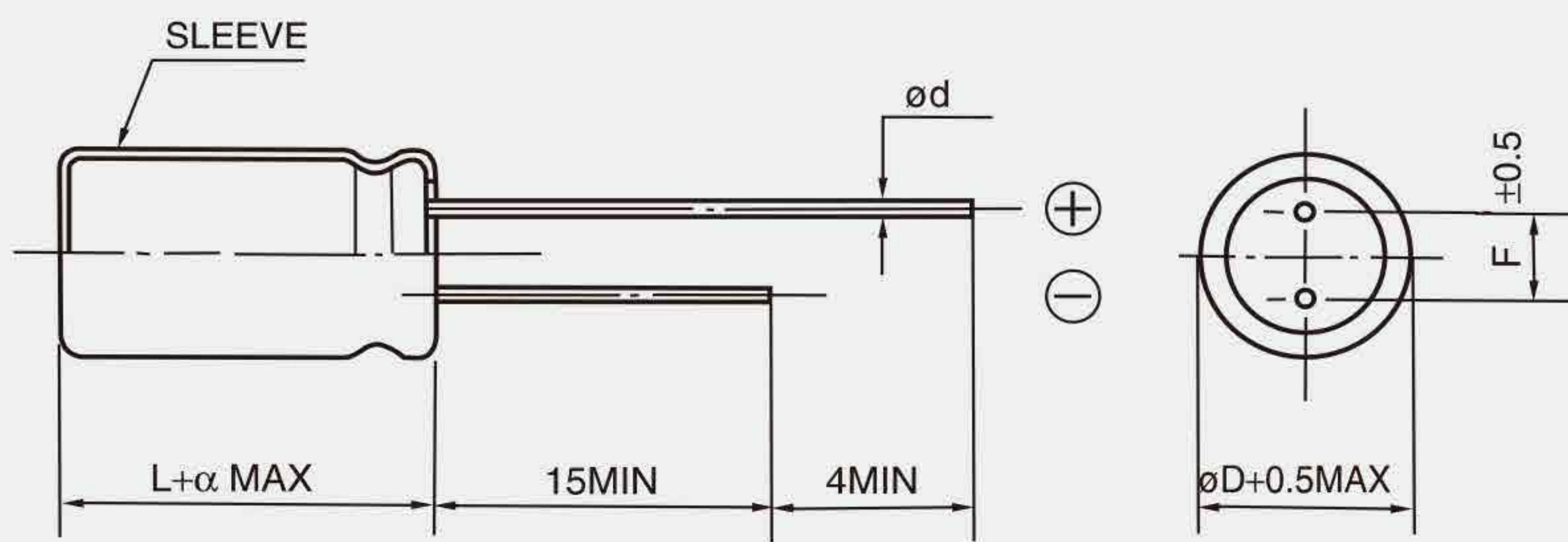
Frequency (Hz)	60(50)	120	500	1k	10k≤	
Coefficient	400WV	0.8	1.0	1.05	1.10	1.15

**◆ PART NUMBER**

<input type="text"/>	<input type="text"/>	<input type="text"/>	<input type="text"/>	<input type="text"/>	<input type="text"/>	<input type="text"/>
Rated Voltage	SAW Series	Rated Capacitance	Capacitance Tolerance	Option	Lead Forming	DxL Case Size

◆ DIMENSIONS

(mm)



$\phi D$	16	18
$\phi d$	0.8	
F	7.5	
$\alpha$	1.5	

◆ STANDARD SIZE, RATED RIPPLE CURRENT

WV Cap ( $\mu F$ )	$\phi D$	400				
		$\phi 12.5$	$\phi 16$	$\phi 18$		
18	12.5×20	0.14				
22	12.5×25	0.16				
27	12.5×25	0.18	16×20	0.19		
33	12.5×30	0.21	16×20	0.21		
39	12.5×35	0.25	16×25	0.25	18×20	0.25
47	12.5×40	0.28	16×25	0.28	18×20	0.28
56			16×30	0.30	18×25	0.30
68			16×35	0.35	18×25	0.33
82			16×40	0.40	18×30	0.38
100					18×35	0.44
120					18×40	0.50

Size  $\phi D \times L$  (mm) ↑  
 Ripple Current (A r.m.s./120Hz, 105°C) ↑

SAW