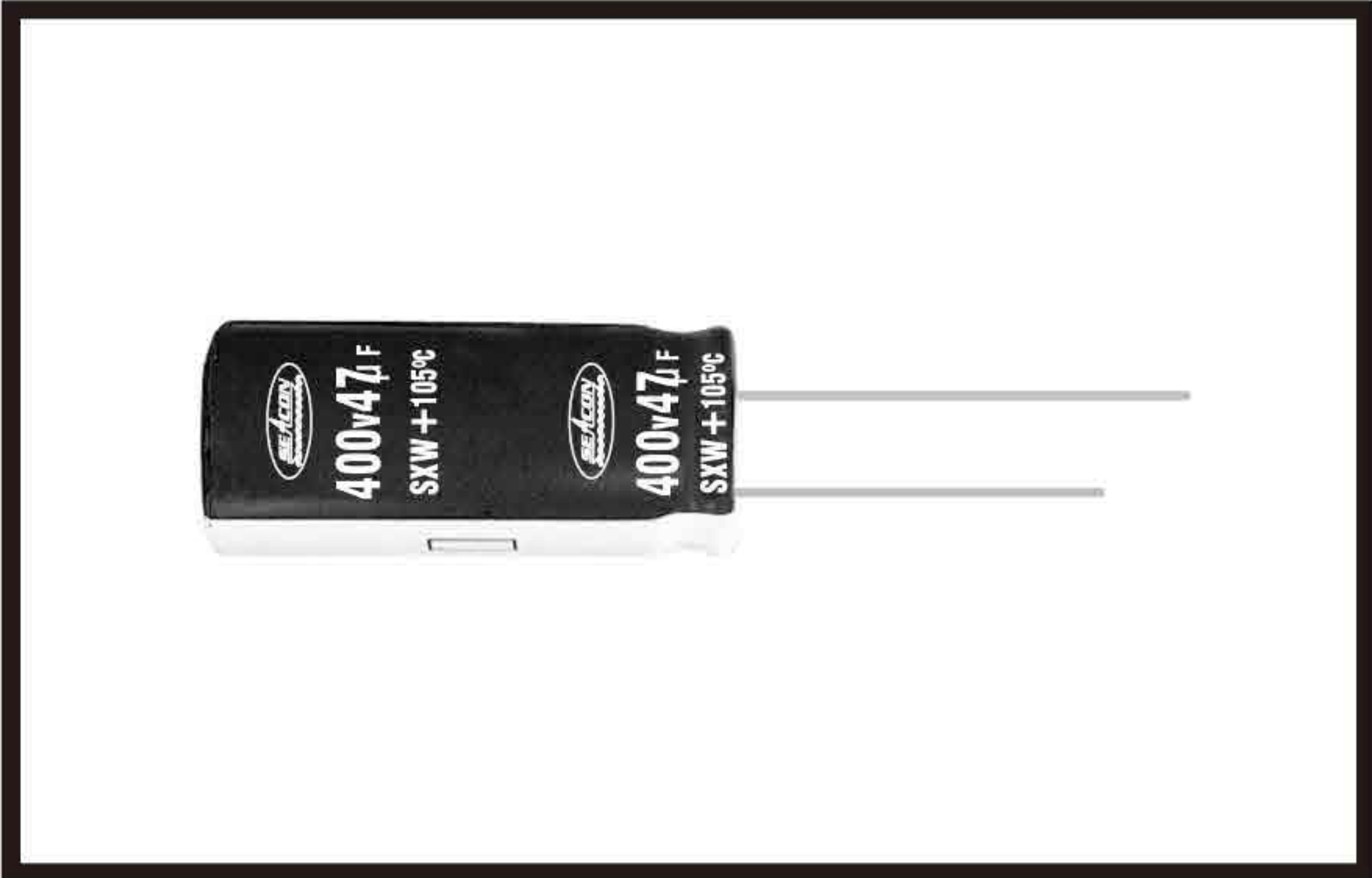


**SXW** SERIES

105°C Overvoltage Vent Operation Facility,  
Lead Wire Type

◆ **FEATURES**

- Load Life : 105°C 2000 hours.
- Body diameter of ø10mm to ø18mm with high ripple current capability.
- This series has specification of vent operation in overvoltage situation. Please consult us for any further details.



◆ **SPECIFICATIONS**

Items	Characteristics							
Category Temperature Range	-25~+105°C							
Rated Voltage Range	200 · 400V.DC							
Capacitance Tolerance	±20%(20°C,120Hz)							
Leakage Current(MAX)	$I=3\sqrt{CV}$ (After 5 minutes application of rated voltage) I=Leakage Current(µA)    C=Rated Capacitance(µF)    V=Rated Voltage(V)							
Dissipation Factor(MAX)	0.15 (20°C,120Hz)							
Impedance Ratio(MAX)	<table border="1"> <tr> <td>Rated Voltage (V)</td> <td>200</td> <td>400</td> <td rowspan="2">(120Hz)</td> </tr> <tr> <td>Z(-25°C)/Z(20°C)</td> <td>3</td> <td>8</td> </tr> </table>	Rated Voltage (V)	200	400	(120Hz)	Z(-25°C)/Z(20°C)	3	8
Rated Voltage (V)	200	400	(120Hz)					
Z(-25°C)/Z(20°C)	3	8						
Endurance	After applying rated voltage with rated ripple current for 2000hrs at 105°C, the capacitors shall meet the following requirements. <table border="1"> <tr> <td>Capacitance Change</td> <td>Within ±20% of the initial value.</td> </tr> <tr> <td>Dissipation Factor</td> <td>Not more than 200% of the specified value.</td> </tr> <tr> <td>Leakage Current</td> <td>Not more than the specified value.</td> </tr> </table>	Capacitance Change	Within ±20% of the initial value.	Dissipation Factor	Not more than 200% of the specified value.	Leakage Current	Not more than the specified value.	
Capacitance Change	Within ±20% of the initial value.							
Dissipation Factor	Not more than 200% of the specified value.							
Leakage Current	Not more than the specified value.							

◆ **MULTIPLIER FOR RIPPLE CURRENT**

Frequency coefficient

Frequency (Hz)	60(50)	120	500	1k	10k≤
200WV	0.8	1.0	1.10	1.14	1.18
400WV	0.8	1.0	1.05	1.10	1.15

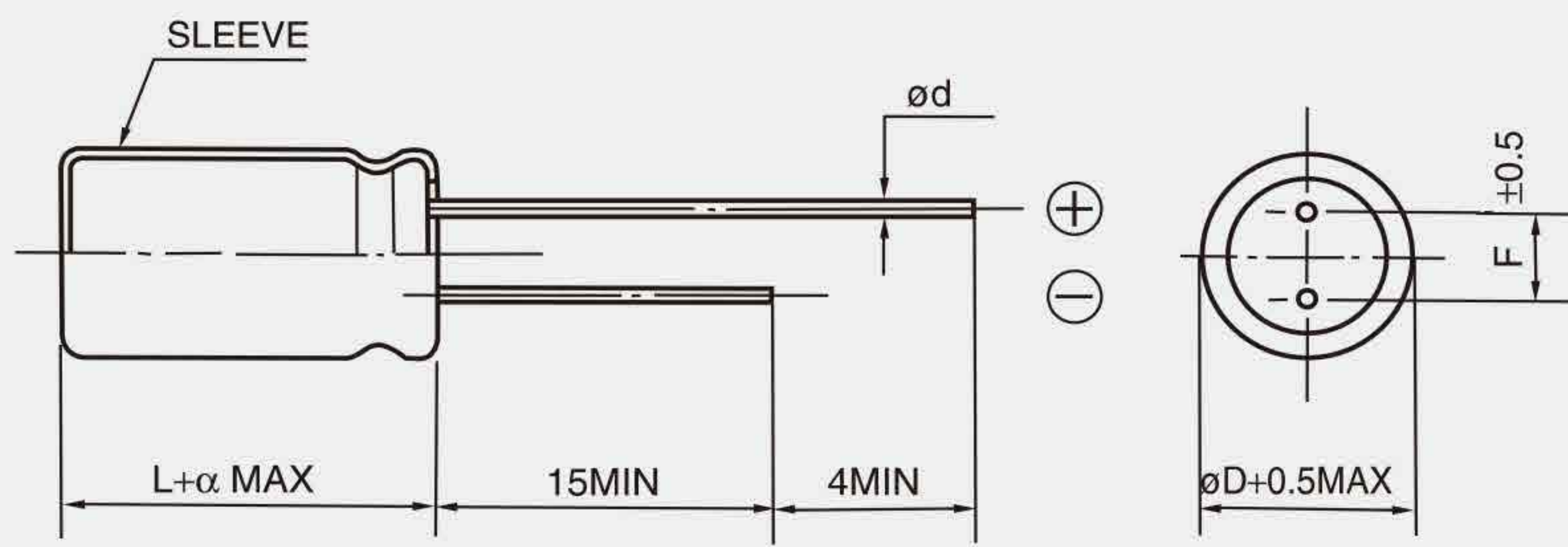
◆ **PART NUMBER**

**SXW**           **DxL**  
 Rated Voltage    Series    Rated Capacitance    Capacitance Tolerance    Option    Lead Forming    Case Size

SXW

◆ DIMENSIONS

(mm)



$\phi D$	10	12.5	16	18
$\phi d$	0.6		0.8	
F	5.0		7.5	
$\alpha$	1.5			

◆ STANDARD SIZE, RATED RIPPLE CURRENT

WV Cap ( $\mu F$ )	$\phi D$	200	
		$\phi 16$	$\phi 18$
68	16x20	0.32	
82	16x20	0.36	18x20 0.37
	16x25	0.38	
100	16x25	0.43	18x20 0.43
	16x30	0.45	
120	16x25	0.48	18x20 0.46
	16x30	0.50	18x25 0.48
130			18x20 0.46
150	16x30	0.57	18x20 0.50
	16x35	0.59	18x25 0.53 18x30 0.58
180	16x40	0.66	18x25 0.60
			18x30 0.62
220			18x30 0.71
			18x35 0.74
270			18x35 0.77
			18x45 0.89
330			18x40 0.91

WV Cap ( $\mu F$ )	$\phi D$	400			
		$\phi 10$	$\phi 12.5$	$\phi 16$	$\phi 18$
4.7	10x10	0.060			
10	10x16	0.087	12.5x20 0.10		
				16x20 0.17	
22				16x25 0.18	
				16x25 0.22	
33				16x25 0.22	18x20 0.23
				16x30 0.24	18x25 0.25
36					18x20 0.24
39				16x30 0.27	18x25 0.27
				16x30 0.30	18x20 0.28
47				16x35 0.32	18x25 0.30
				16x35 0.34	18x30 0.32
56				16x35 0.34	18x30 0.35
				16x40 0.36	18x35 0.37
68				16x40 0.39	18x35 0.40
					18x40 0.42
82					18x40 0.46
					18x45 0.48
100					18x45 0.52

Size  $\phi D \times L$  (mm) ↑  
Ripple Current (A r.m.s./120Hz, 105°C) ↑