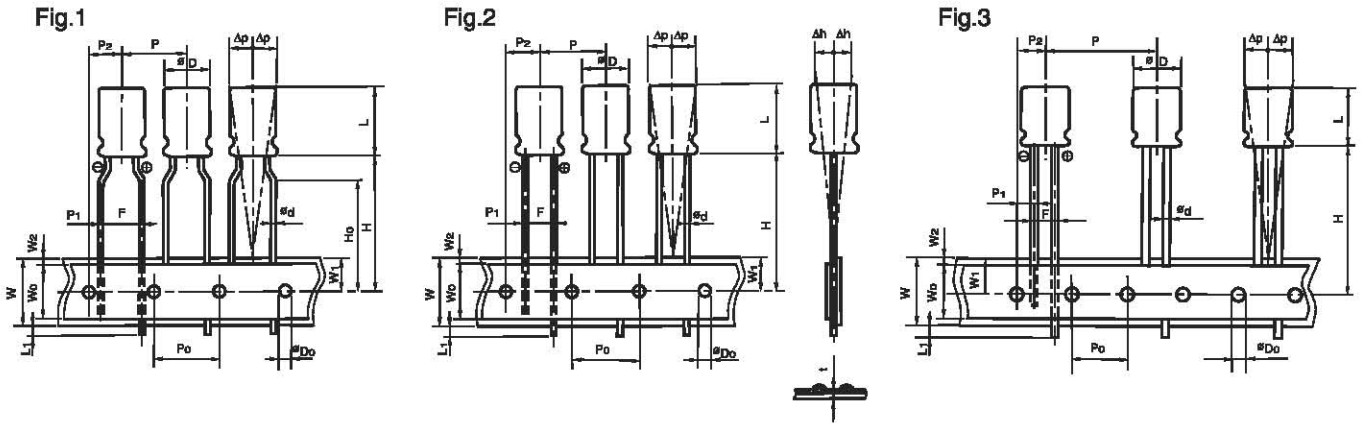


◆ 编带规格/TAPING SPECIFICATIONS

◆ 纵向引线形 (04形) 编带形状尺寸图/DIMENSIONS

(mm)



◆ SPECIFICATION TABLE

(mm)

Items	Code	5mm Height		7mm Height				Tolerance
		∅3~∅8	∅4~∅6.3	∅4~∅6.3	∅8			
Taping code		T5	TZ	T5	TZ	TA	T7	
Applicable Fig. No.		Fig.2	Fig.1	Fig.2	Fig.1	Fig.1	Fig.2	
Dia. of lead	∅d	0.4 or 0.45		0.45				±0.05
Height of body	L	6.5		8.0				MAX
Distance from center to center of next body	P	12.7		12.7				±1.0
Distance from center to center of next driving hole	P ₀	12.7		12.7				±0.2
Distance between center of driving hole and lead	P ₁	5.1	3.85	5.1	3.85	4.6		±0.5
Distance between center of driving hole and body	P ₂	6.35		6.35				±1.0
Pitch of lead	F	2.5	5.0	2.5	5.0	3.5		+0.8 -0.2
Width of mounting tape	W	18.0		18.0				±0.3
Width of adhesive tape	W ₀	5.0		5.0				MIN
Distance between center of driving hole and mounting tape edge	W ₁	9.0		9.0				±0.5
Max. allowable distance between mounting and adhesive tape edges	W ₂	1.5		1.5				MAX
Distance between center of driving hole and bottom of body	H	17.5		17.5		20.0		±0.75
Distance between center of driving hole and clinch part of lead	H ₀	—	16.0	—	16.0		—	±0.5
End of lead	L ₁	0.5		0.5				MAX
Dia. of driving hole	∅D ₀	4.0		4.0				±0.2
Off alignment of body top	Δh	1.0		1.0				MAX
Off alignment of body top	Δp	1.0		1.0				MAX
Sum of thickness for mounting and adhesive tape without lead dia	t	0.6		0.6				±0.3
Quantity (pcs)		2000 (∅8:1000)						

规格表 / SPECIFICATION

(mm)

Items	Code	9mm or more Height						Tolerance		
		ø5, ø6.3		ø8		ø10	ø12.5		ø16	ø18
Taping code		T1	TA	TA	T7	T8	G4	GC		
Applicable Fig. No.		Fig.2	Fig.1	Fig.1	Fig.2	Fig.2	Fig.2	Fig.3		
Dia. of lead	ød	0.5		0.6			0.8		±0.05	
Height of body	L	13.0		22.0		30.0	42.0	37.5	42.0	MAX
Distance from center to center of next body	P	12.7				15.0	30.0		±1.0	
Distance from center to center of next driving hole	P ₀	12.7				15.0	15.0±0.3		±0.2	
Distance between center of driving hole and lead	P ₁	5.1	3.85		4.6	3.85	5.0	3.75		±0.5
Distance between center of driving hole and body	P ₂	6.35				7.5			±1.0	
Pitch of lead	F	2.5	5.0		3.5	5.0±0.8		7.5±0.8		+0.8 -0.2
Width of mounting tape	W	18.0								±0.3
Width of adhesive tape	W ₀	5.0								MIN
Distance between center of driving hole and mounting tape edge	W ₁	9.0								±0.5
Max. allowable distance between mounting and adhesive tape edges	W ₂	1.5								MAX
Distance between center of driving hole and bottom of body	H	18.5		20.0		18.5 ^{+0.75} _{-0.5}			±0.75	
Distance between center of driving hole and clinch part of lead	H ₀	—	16.0		—	—			±0.5	
End of lead	L ₁	0.5								MAX
Dia. of driving hole	øD ₀	4.0								±0.2
Off alignment of body top	Δh	1.0								MAX
Off alignment of body top	Δp	1.0								MAX
Sum of thickness for mounting and adhesive tape without lead dia	t	0.6								±0.3
Quantity (pcs)		2000		1000		500		250		

◆PART NUMBER (except for screw)

额定电压 Rated Voltage	系列名称 Series	额定静电容量 Rated Capacitance	静电容量允许差 Capacitance Tolerance	副记号 Option	D×L 铝壳尺寸 Case Size																											
<table border="1"> <tr><th>Rated Voltage(V)</th><th>Code</th></tr> <tr><td>6.3</td><td>6.3</td></tr> <tr><td>10</td><td>10</td></tr> <tr><td>25</td><td>25</td></tr> <tr><td>100</td><td>100</td></tr> </table>	Rated Voltage(V)	Code	6.3	6.3	10	10	25	25	100	100	<table border="1"> <tr><th>Cap.(μF)</th><th>Code</th></tr> <tr><td>0.1</td><td>0R1</td></tr> <tr><td>0.47</td><td>0R47</td></tr> <tr><td>1</td><td>1</td></tr> <tr><td>10</td><td>10</td></tr> <tr><td>1000</td><td>1000</td></tr> </table>	Cap.(μF)	Code	0.1	0R1	0.47	0R47	1	1	10	10	1000	1000	<table border="1"> <tr><td>M±20%</td></tr> <tr><td>K±10%</td></tr> </table>	M±20%	K±10%	<table border="1"> <tr><td>TA, KC, CA etc</td></tr> </table>	TA, KC, CA etc	<table border="1"> <tr><td>5×11</td></tr> <tr><td>10×12.5</td></tr> <tr><td>12.5×40</td></tr> </table>	5×11	10×12.5	12.5×40
Rated Voltage(V)	Code																															
6.3	6.3																															
10	10																															
25	25																															
100	100																															
Cap.(μF)	Code																															
0.1	0R1																															
0.47	0R47																															
1	1																															
10	10																															
1000	1000																															
M±20%																																
K±10%																																
TA, KC, CA etc																																
5×11																																
10×12.5																																
12.5×40																																

在订货时, 请注明额定电压、系列名称、额定静电容量、引线加工、铝壳尺寸的信息。
Please indicate the above information, when you inquire.

例) : Example

- 长引线品 Long lead type 50 SB 1 M 3×5
- 编带品 Taping type 35 FCD 100 M TA 6.3×11

V-CHIP
GENERAL PURPOSE
LOW PROFILE
LONG LIFE
LOW IMPEDANCE
LOW LEAKAGE CURRENT
BI-POLAR
FOR SWITCHING POWER SUPPLY
SNAP-IN TYPE
LUG TERMINAL TYPE
SCREW TERMINAL TYPE
PHOTO FLASH
HIGH RIPPLE FARAD