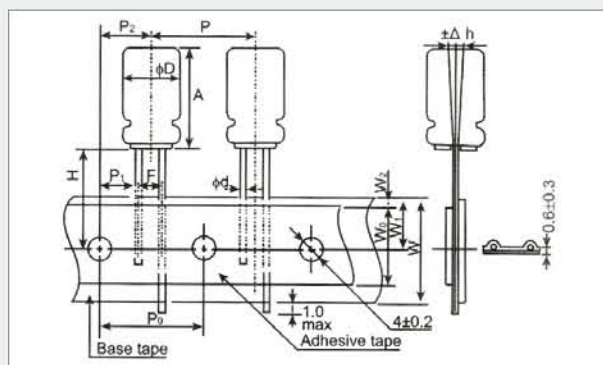


# Taping Specifications (編帶產品規格)



Dimensions (mm)

	5	6.3	8	10
	7~11	8~11	8~11.5	12.5
	0.45~0.6	0.45~0.6	0.6	0.6
	12.7	12.7	12.7	12.7
	12.7	12.7	12.7	12.7