

FSC 系列 SERIES



- Snap in series 焊针式产品
- Higher operating Voltage 高工作电压
- Long lifetime with over 1,000,000 duty cycles 1,000,000 次循环寿命
- Used in Backup power unit, UPS, Instantaneous power compensation, Energy storage, Pitch control systems for wind turbine, Power tools
- 适用于备用电源、不间断电源、瞬时功率补偿、储能、风电变桨系统、电动工具
- 65°C 2000hours

Specifications 性能要求

Item 项目	Performance Characteristics 使用特性
Operating Temperature Range 工作温度范围	-40°C ~ +65°C (85°C)
Rated Voltage 额定电压	3.0V.DC (2.6V.DC)
Surge Voltage 浪涌电压	3.16V.DC
Capacitance Tolerance 容量偏差	0% ~ +20% (+25°C)
DC Leakage Current 漏电流(72h)	After 72 hours application of rated voltage at +25°C 在+25°C下施加额定电压 72 小时后
Characteristics at High and Low Temperatures 高温及低温特性	Capacitance range 容量偏差 Within ±30% of the initial value. ΔC≤初始测量值的 30%
	ESR range 电阻偏差 Less than 200% of the initial value. ΔESR≤初始测量值的 200%
Shelf Life 贮存寿命	The specifications shall be met after storage at upper category temperature for 2000 hours 工作温度上限下无负荷贮存 2000 小时后电容器符合以下的限值
	Capacitance range 容量偏差 Within ±30% of the initial value. ΔC≤初始测量值的 30%
High Temperature Loaded 耐久性测试	The specifications shall be met after rated voltage applied at upper category temperature for 2000 hours 工作温度上限下负载额定电压 2000 小时后电容器符合以下的限值
	Capacitance range 容量偏差 Within ±30% of the initial value. ΔC≤初始测量值的 30%
Cycle Life 循环寿命	The specifications shall be met after 1,000,000 cycles at 25°C, cycle of charge/discharge from V _R to 1/2V _R +25°C下以恒定电流使电容器在额定电压和半额定电压之间循环充放电 1,000,000 次
	Capacitance range 容量偏差 Within ±30% of the initial value. ΔC≤初始测量值的 30%
	ESR range 电阻偏差 Less than 200% of the initial value. ΔESR≤初始测量值的 200%



双电层电容器 ELECTRIC DOUBLE LAYER CAPACITORS

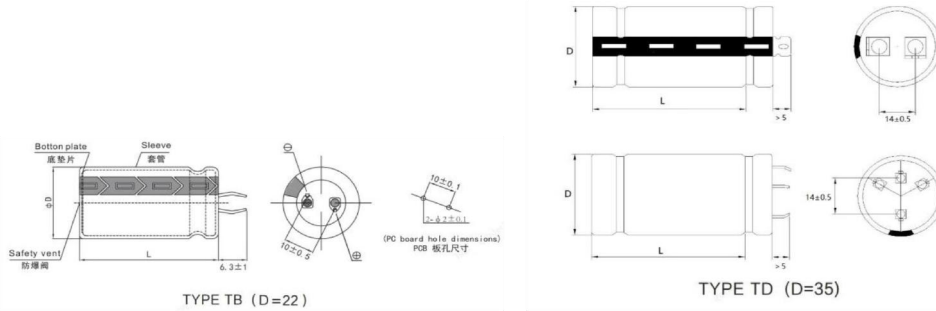
FSC

Part Number 产品型号体系表



※容量偏差 (Capacitance Tolerance) □: M: ±20%; Q: -10%~+30%; V: -10%~+20%; S: -20%~+50%; A: 0%~+20%

Dimensions (mm) 尺寸



ΦD ± 1.5	22	35		
L ± 3.0	45	61	66	71

Standard Size 标准品一览表

Rated Voltage (V.DC)	Rated Capacitance (F)	ESR(mΩ)		Leakage Current (mA/ 72hours)	ΦD×H (mm)	Part No.
		AC (1kHz)	DC			
3.0	100	7	10	0.30	22×45	ECFSC3R0107A2245
	350	3	5	0.60	35×61	ECFSC3R0357A3561
	400	3	5	0.60	35×66	ECFSC3R0407A3566
	450	2.5	4	1.0	35×71	ECFSC3R0457A3571
	600	2	3.5	1.0	35×71	ECFSC3R0607A3571