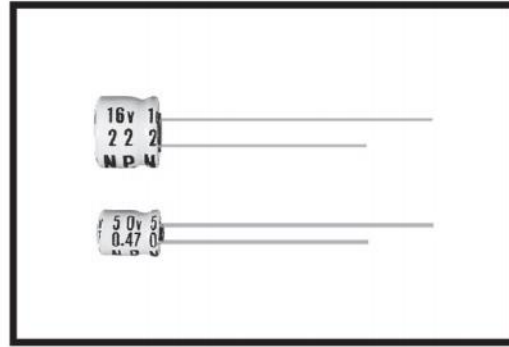


NP5 SERIES

Bi-polar, 5mm Height



◆ SPECIFICATIONS

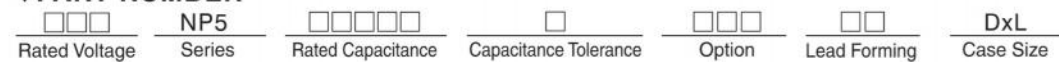
Items	Characteristics																								
Category Temperature Range	-40~+85°C																								
Rated Voltage Range	6.3~50V.DC																								
Capacitance Tolerance	±20%(20°C,120Hz)																								
Leakage Current(MAX)	I=0.05CV or 10μA whichever is greater. (After 5 minutes application of rated voltage) I=Leakage Current(μA) C=Rated Capacitance(μF) V=Rated Voltage(V)																								
Dissipation Factor(MAX)	<table border="1"> <tr> <td>Rated Voltage (V)</td> <td>6.3</td> <td>10</td> <td>16</td> <td>25</td> <td>35</td> <td>50</td> <td>(20°C,120Hz)</td> </tr> <tr> <td>tanδ</td> <td>0.26</td> <td>0.22</td> <td>0.20</td> <td>0.20</td> <td>0.20</td> <td>0.20</td> <td></td> </tr> </table>	Rated Voltage (V)	6.3	10	16	25	35	50	(20°C,120Hz)	tanδ	0.26	0.22	0.20	0.20	0.20	0.20									
Rated Voltage (V)	6.3	10	16	25	35	50	(20°C,120Hz)																		
tanδ	0.26	0.22	0.20	0.20	0.20	0.20																			
Endurance	After applying rated voltage with rated ripple current for 1000hrs at 85°C, (The polarity shall be reversed every 500hrs.), the capacitors shall meet the following requirements. <table border="1"> <tr> <td>Capacitance Change</td> <td>Within ±25% of the initial value.</td> </tr> <tr> <td>Dissipation Factor</td> <td>Not more than 200% of the specified value.</td> </tr> <tr> <td>Leakage Current</td> <td>Not more than the specified value.</td> </tr> </table>	Capacitance Change	Within ±25% of the initial value.	Dissipation Factor	Not more than 200% of the specified value.	Leakage Current	Not more than the specified value.																		
Capacitance Change	Within ±25% of the initial value.																								
Dissipation Factor	Not more than 200% of the specified value.																								
Leakage Current	Not more than the specified value.																								
Low Temperature Stability Impedance Ratio(MAX)	<table border="1"> <tr> <td>Rated Voltage (V)</td> <td>6.3</td> <td>10</td> <td>16</td> <td>25</td> <td>35</td> <td>50</td> <td>(120Hz)</td> </tr> <tr> <td>Z(-25°C)/Z(20°C)</td> <td>6</td> <td>4</td> <td>4</td> <td>3</td> <td>2</td> <td>2</td> <td></td> </tr> <tr> <td>Z(-40°C)/Z(20°C)</td> <td>12</td> <td>10</td> <td>8</td> <td>6</td> <td>4</td> <td>4</td> <td></td> </tr> </table>	Rated Voltage (V)	6.3	10	16	25	35	50	(120Hz)	Z(-25°C)/Z(20°C)	6	4	4	3	2	2		Z(-40°C)/Z(20°C)	12	10	8	6	4	4	
Rated Voltage (V)	6.3	10	16	25	35	50	(120Hz)																		
Z(-25°C)/Z(20°C)	6	4	4	3	2	2																			
Z(-40°C)/Z(20°C)	12	10	8	6	4	4																			

◆ MULTIPLIER FOR RIPPLE CURRENT

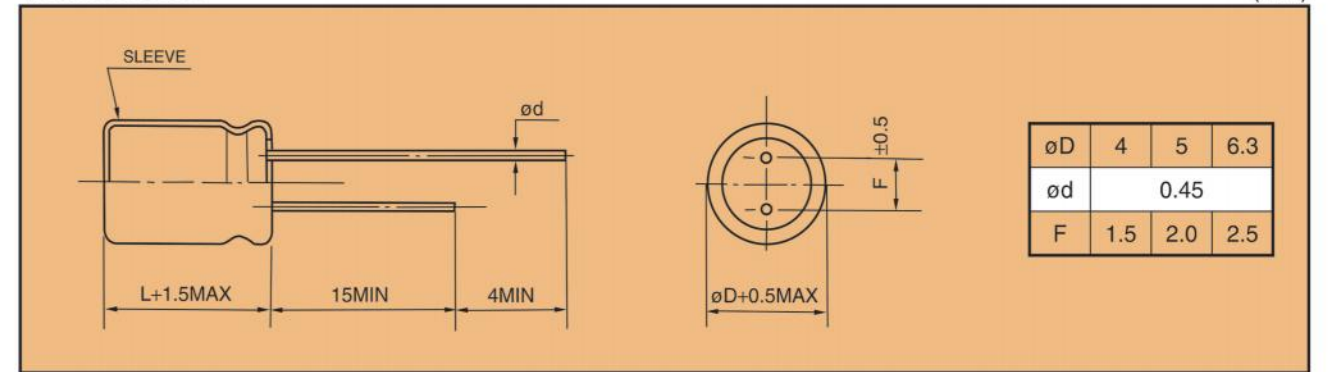
Frequency coefficient

Frequency (Hz)	60(50)	120	500	1k	10k≤
0.1~1μF	0.50	1.00	1.20	1.30	1.50
2.2~4.7μF	0.65	1.00	1.20	1.30	1.50
10~47μF	0.80	1.00	1.20	1.30	1.50

◆ PART NUMBER



◆ DIMENSIONS



◆ STANDARD SIZE, RATED RIPPLE CURRENT

Size øDxL(mm), Ripple Current (mA r.m.s./85°C, 120Hz)

WV(V.DC) Cap(μF)	6.3 (0J)		10 (1A)		16 (1C)		25 (1E)		35 (1V)		50 (1H)	
	Size	Ripple	Size	Ripple	Size	Ripple	Size	Ripple	Size	Ripple	Size	Ripple
0.1											4x5	1
0.22											4x5	2
0.33											4x5	2
0.47											4x5	3
1											4x5	5
2.2									4x5	9	5x5	10
3.3							5x5	10	5x5	11		
4.7					4x5	12	5x5	13	5x5	14		
10	4x5	14	5x5	18	5x5	20	6.3x5	21	6.3x5	24		
22	5x5	25	6.3x5	30	6.3x5	32						
33	6.3x5	35	6.3x5	37								
47	6.3x5	40										